

SPARE PARTS CATALOGUE

for the

FOUR and SIX CYLINDER

MODELS

TYPES P34 and P36

CITROËN

CARS



CITROËN CARS LTD

Citroen Building, Brook Green
Hammersmith, LONDON, W.6

TELEPHONE RIVERSIDE 2220-8

TÉLEGRAMS. CITROLON. HAMMER. LONDON

210

ILLUSTRATED SPARE PARTS CATALOGUE

FOR THE
FOUR and SIX CYLINDER
MODELS

TYPES P₃₄ and P₃₆

CHASSIS PARTS

<i>KEY TO SYMBOLS.—</i> <u>P₃₄</u>			
BIG TWELVE	-	-	Y.
LIGHT TWELVE	-	-	YL.
<u>P₃₆</u>			
BIG TWENTY	-	-	Z.
LIGHT TWENTY	-	-	ZL.

ILLUSTRATIONS

INDEX

	UNIT	PLATES
ENGINE	1-10
CLUTCH	11
GEARBOX	12-13
FREE-WHEEL	14
PROPELLOR SHAFT	15-16
BACK AXLE	17-26
FRONT AXLE	27-30
BRAKE AND CLUTCH PEDAL ASSEMBLY	31
BRAKES	32-33
STEERING	34-35
CHASSIS	36-47
SUSPENSION	48-50
ELECTRICAL	51-60
INSTRUMENT PANEL	61

ENGINE

CYLINDER BLOCK AND CRANKCASE

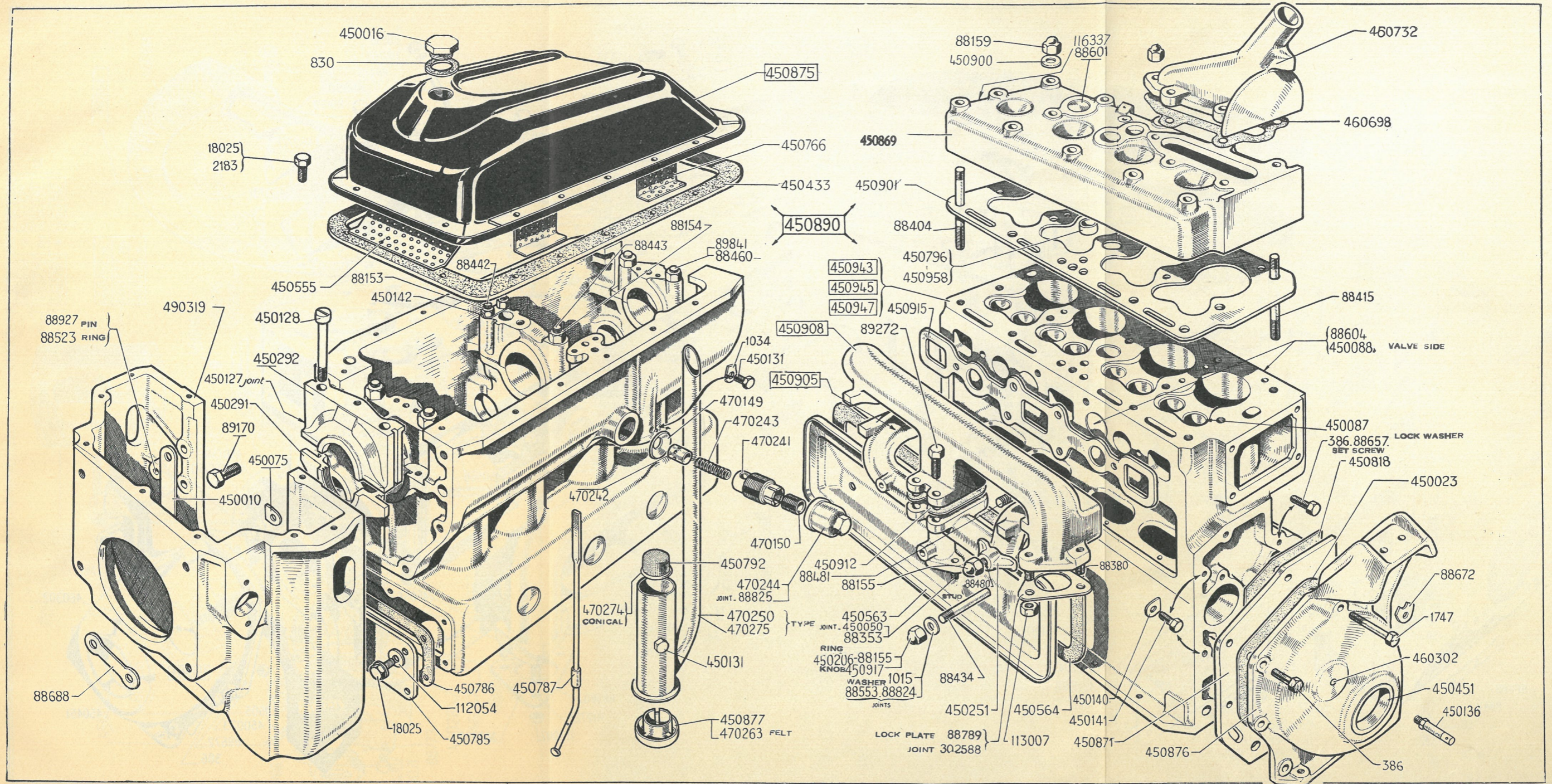


Illustration 1

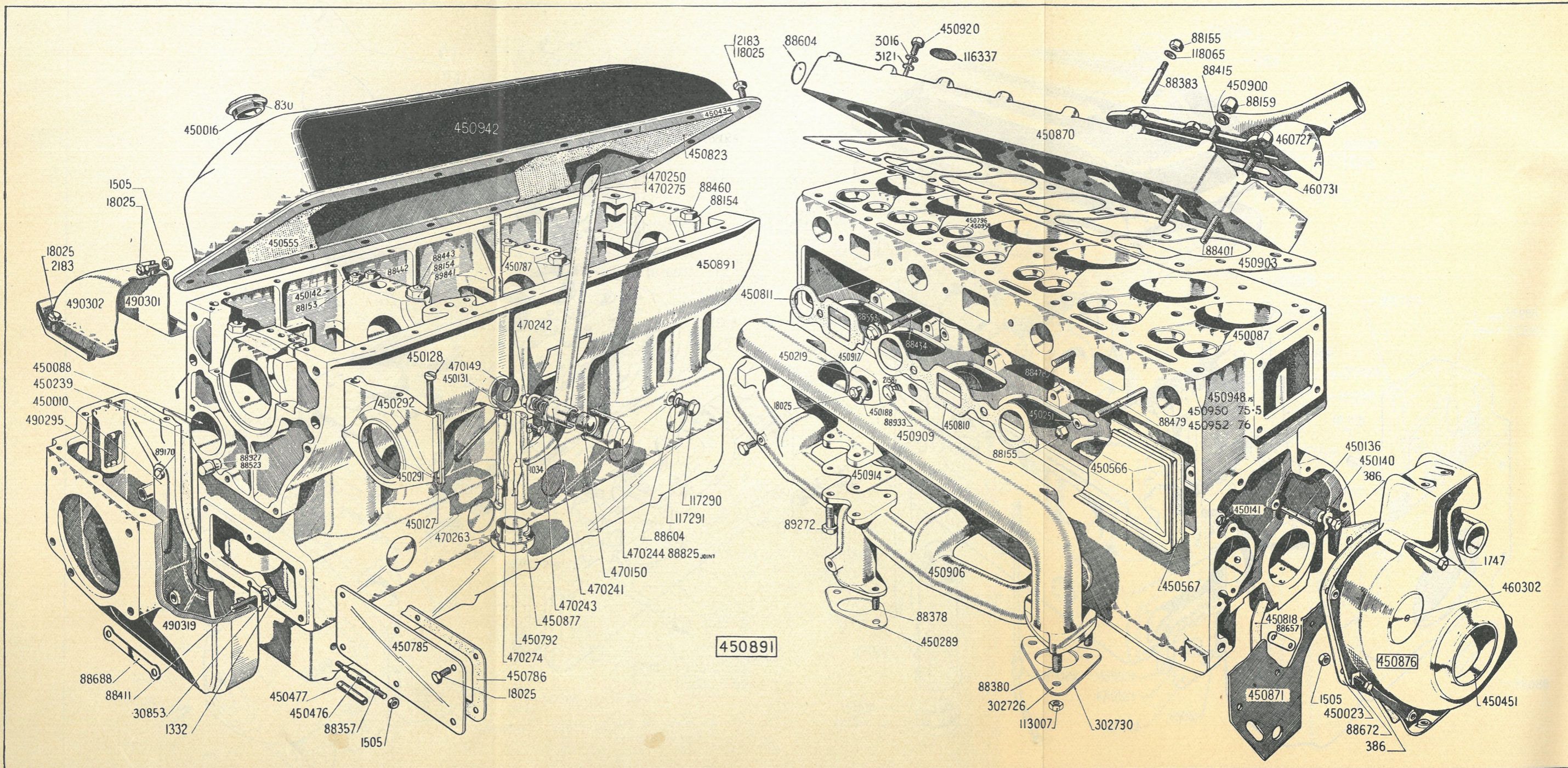


Illustration 2

ENGINE

Types Y. YL. CRANKSHAFT, CONNECTING RODS AND PISTONS

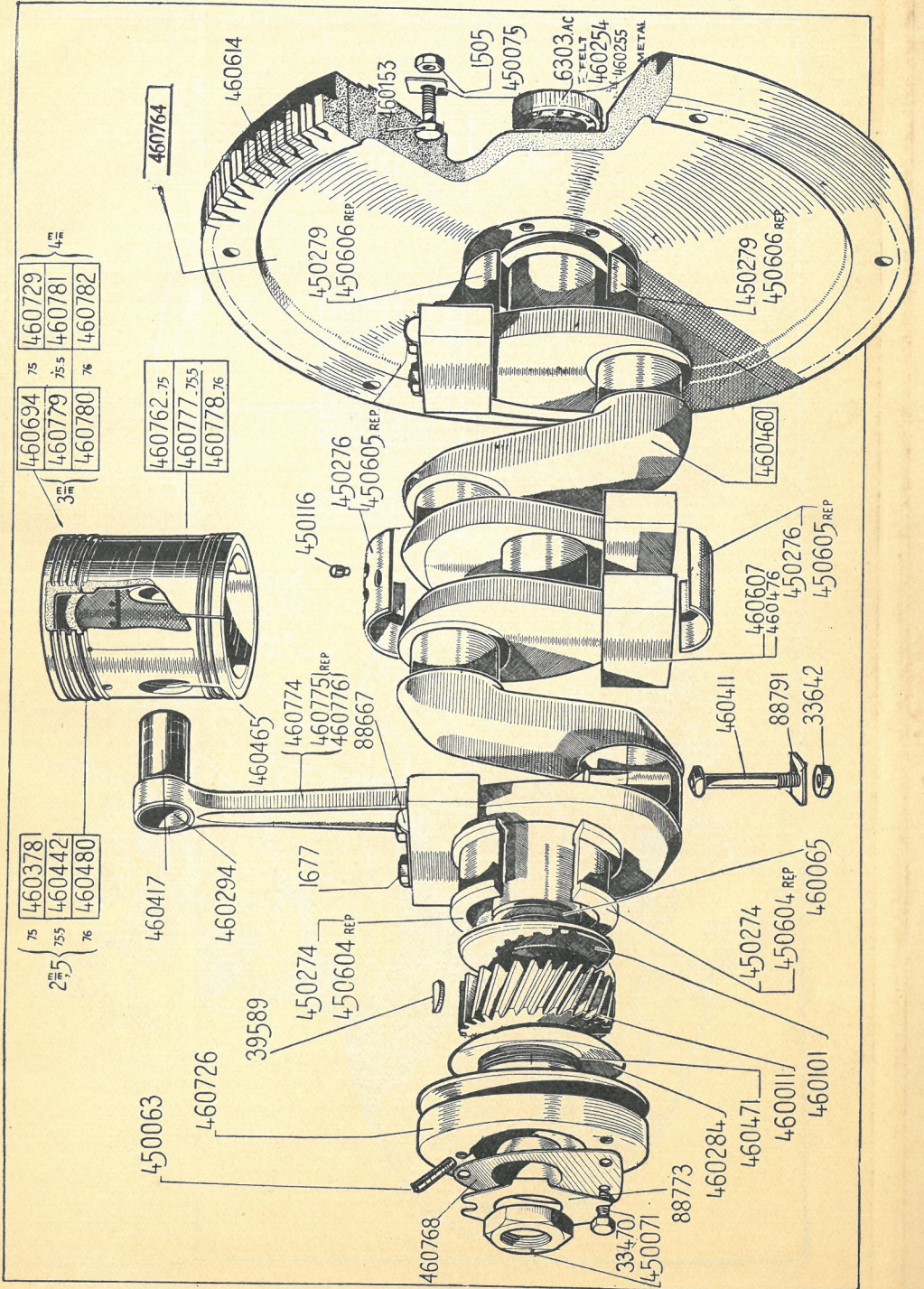
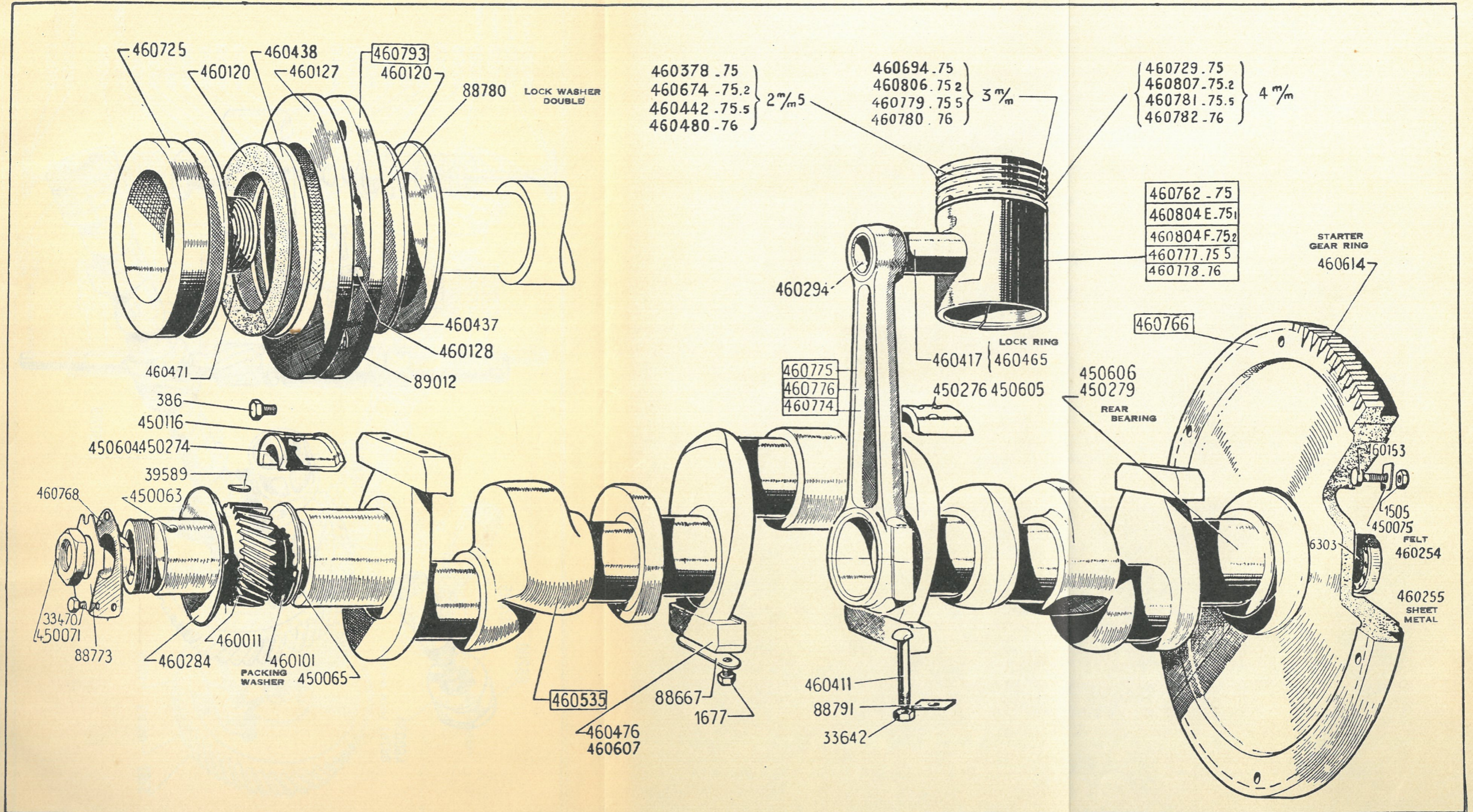


Illustration 3

ENGINE

Types Z. ZL.

CRANK SHAFT, CONNECTING RODS AND PISTONS



ENGINE

Type Y. YL. CAMSHAFT, VALVES, VALVE TIMING, GEAR, IGNITION TIMING GEAR

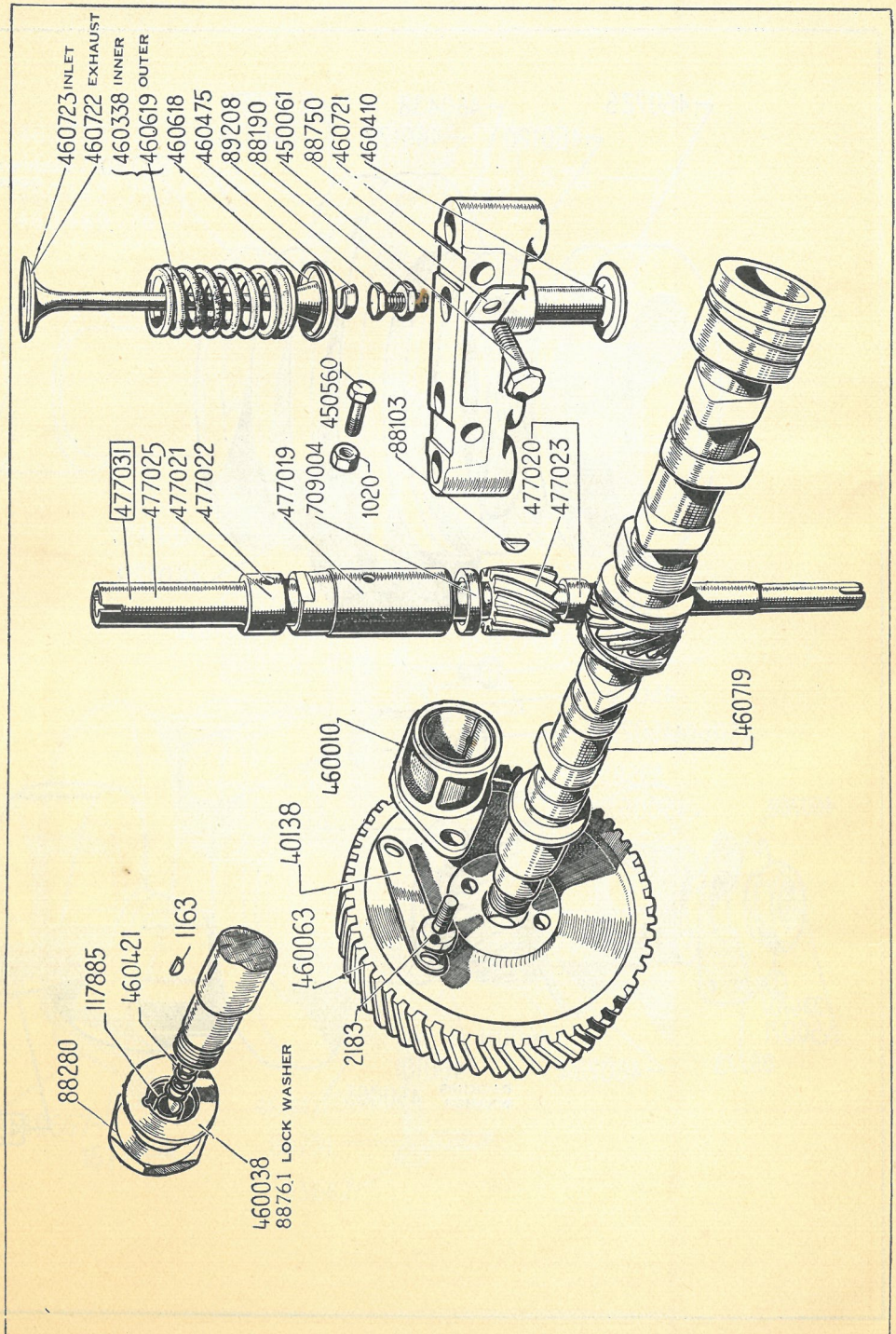


Illustration 5

Types Z. ZL.

ENGINE

CAMSHAFT, VALVES, VALVE TIMING, GEAR, IGNITION TIMING GEAR

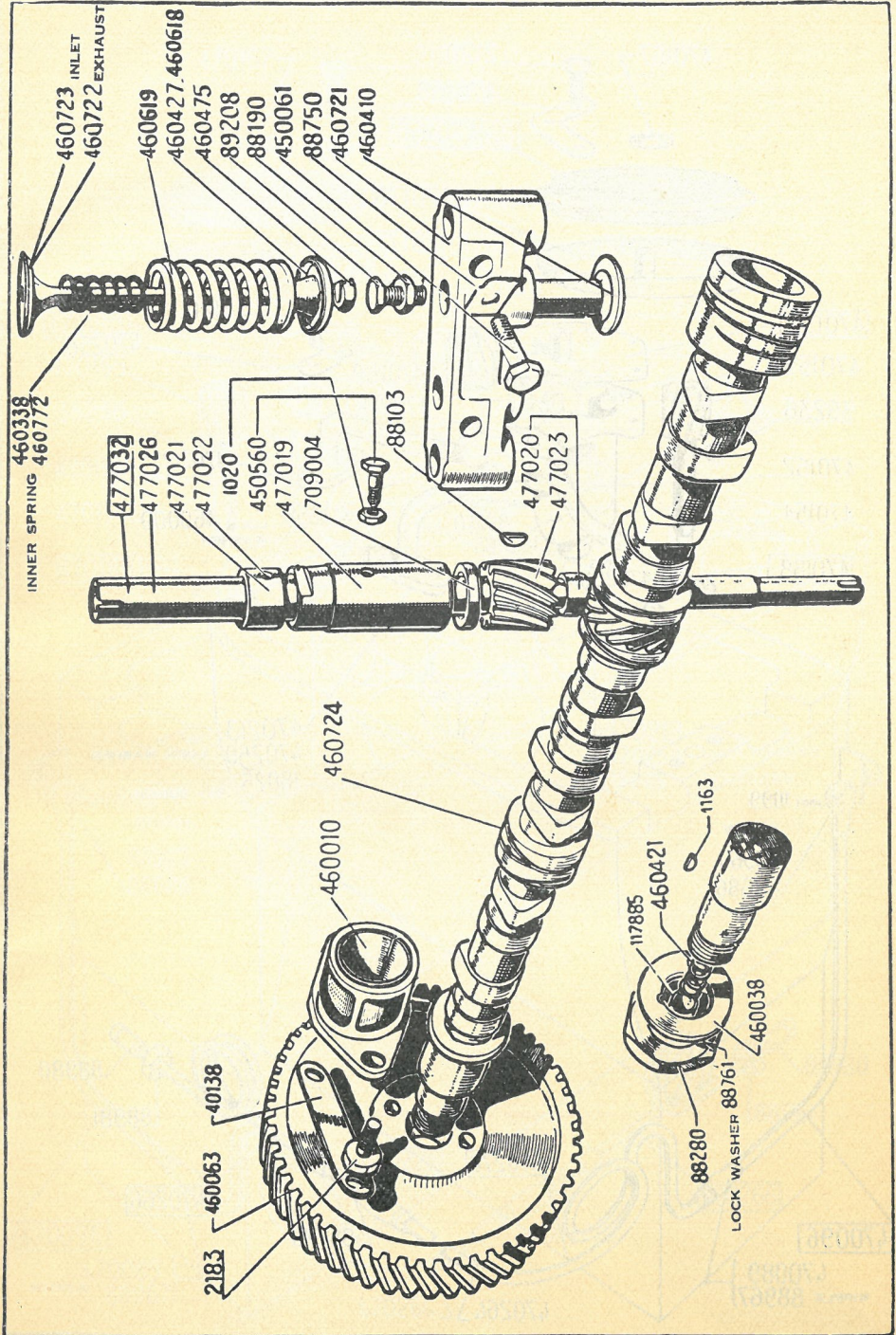


Illustration 6

ENGINE

OIL PUMP AND LUBRICATING SYSTEM

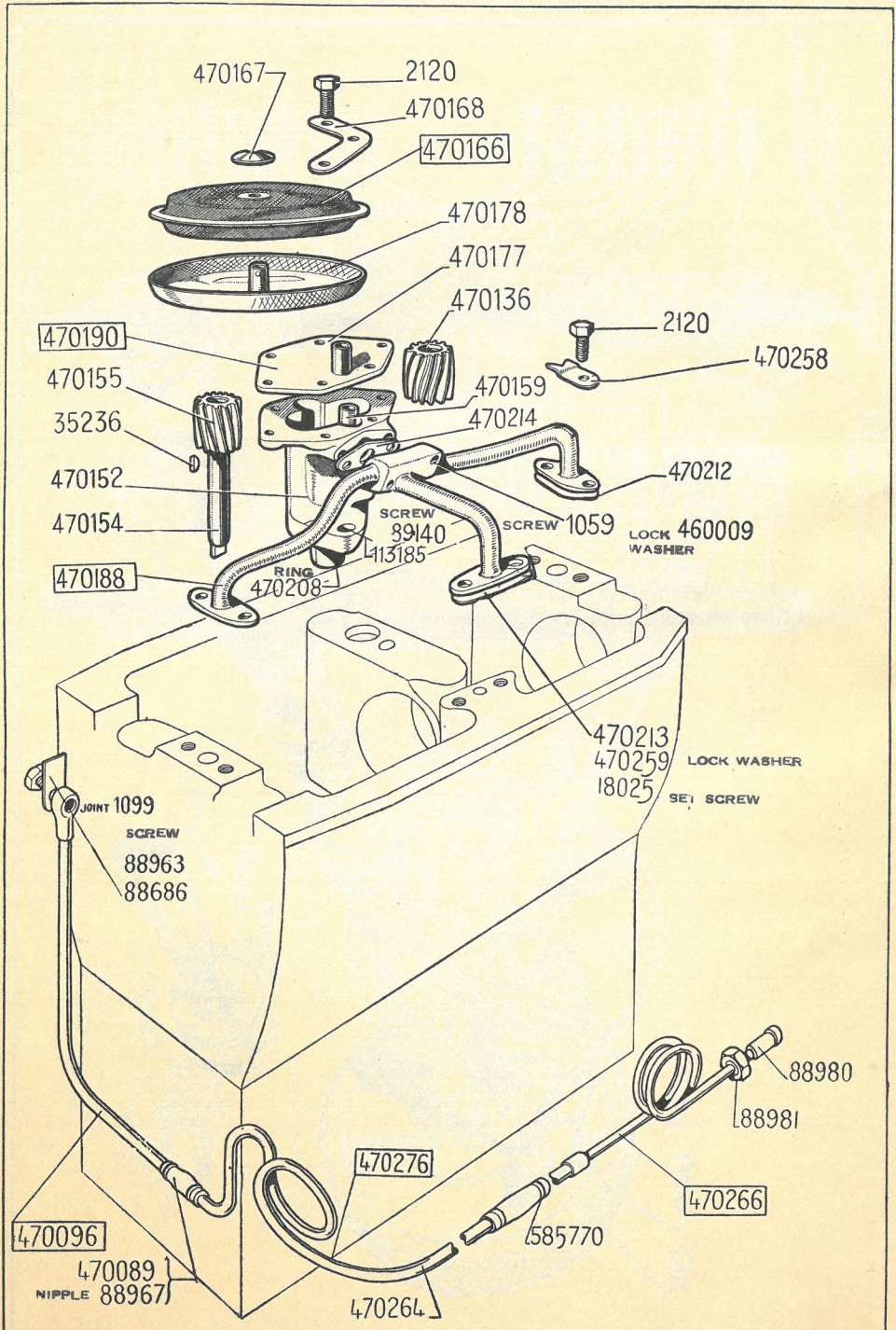


Illustration 7

Type Z. ZL.

ENGINE

OIL PUMP AND LUBRICATING SYSTEM

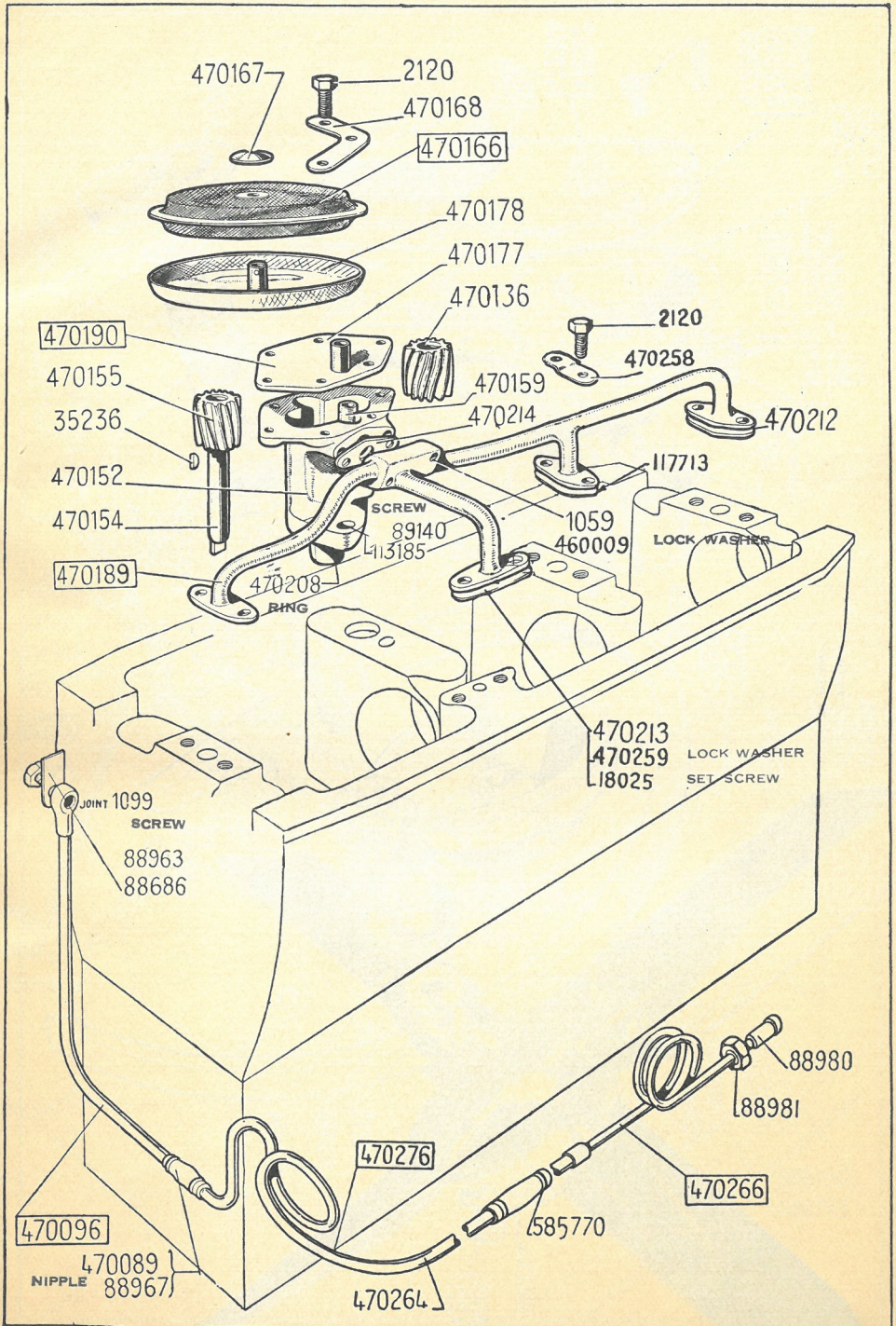


Illustration 8

ENGINE

FAN AND WATER CIRCULATING PUMP

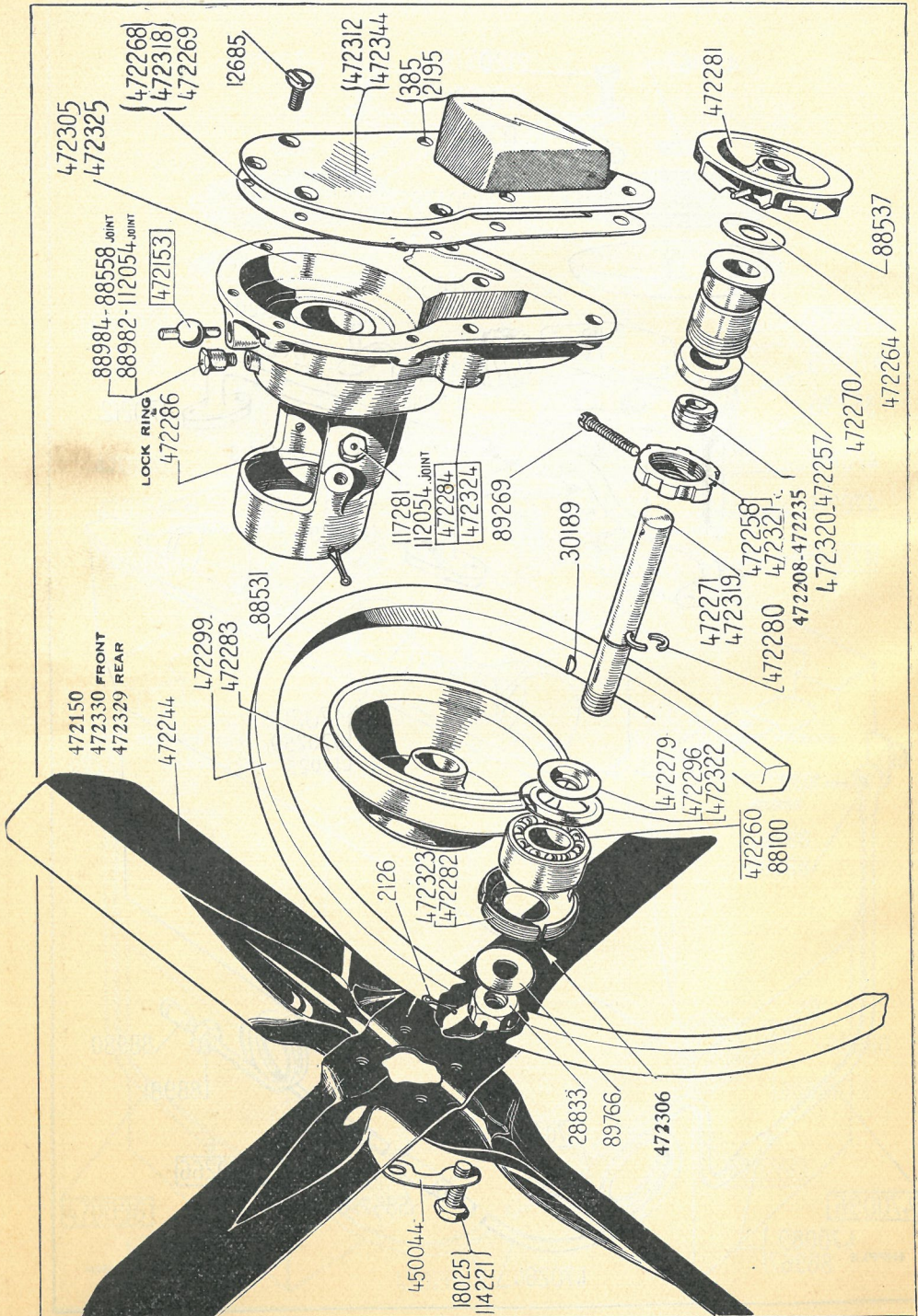


Illustration 9

ENGINE

ACCELERATOR CONTROLS

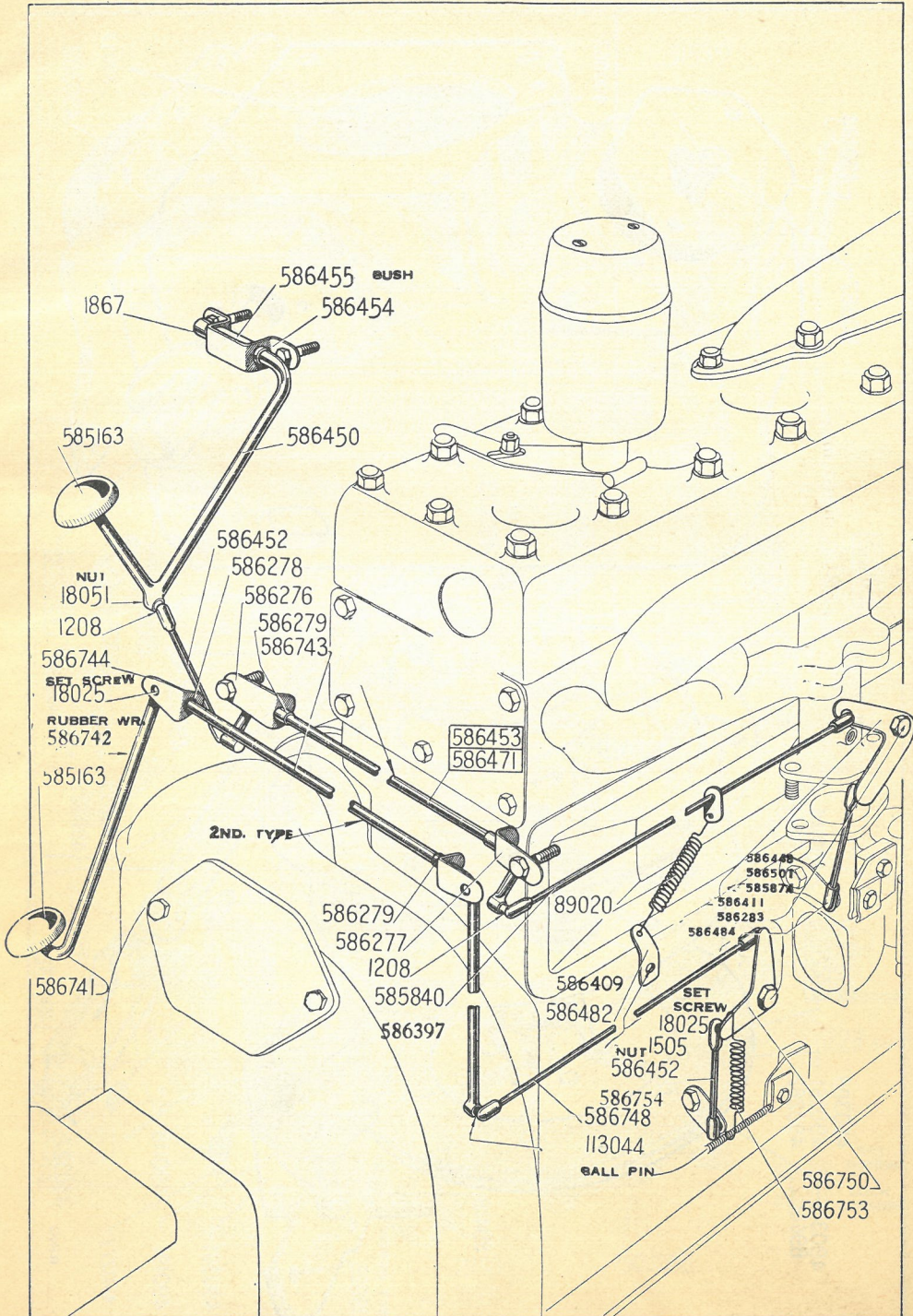


Illustration 10

CLUTCH

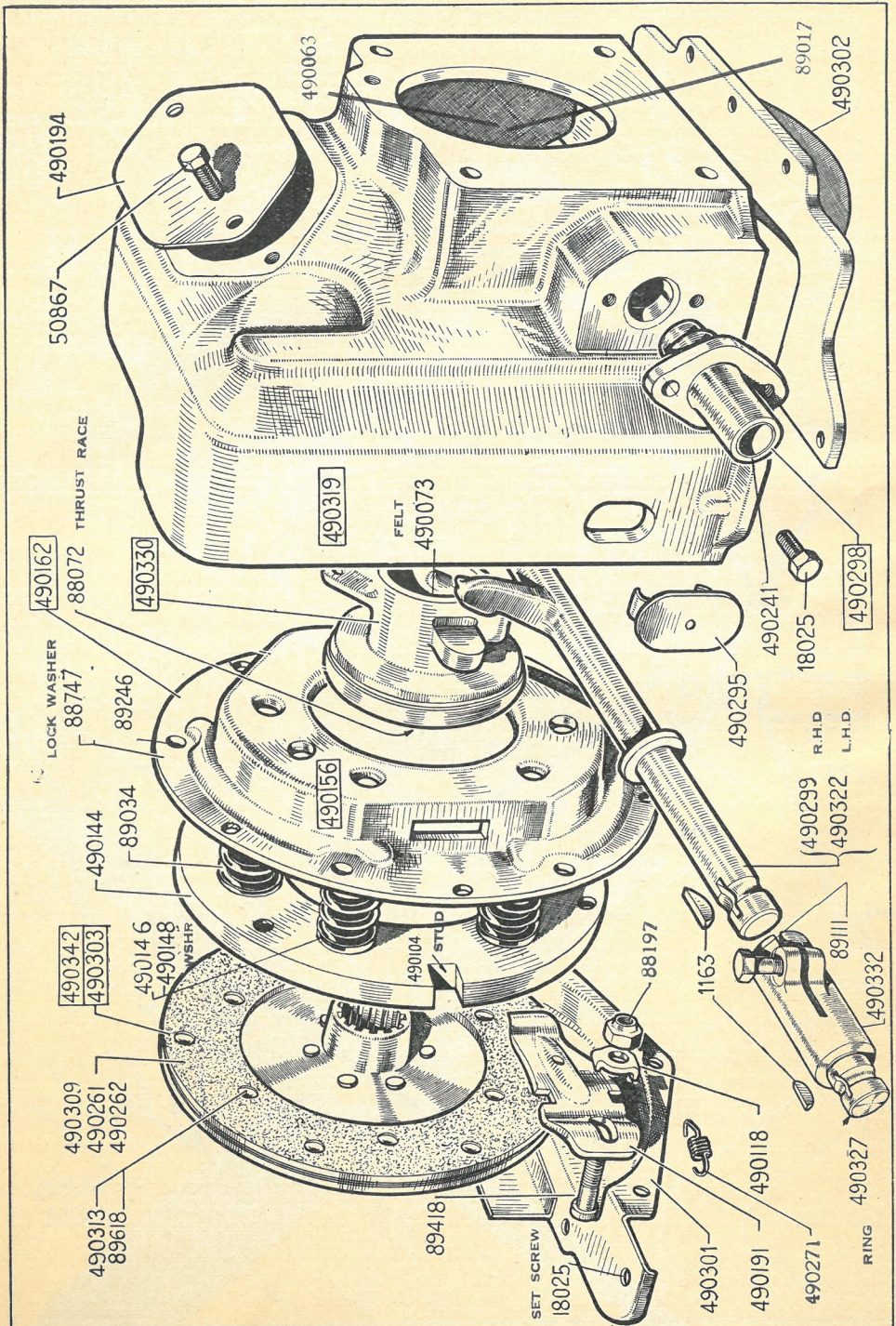


Illustration 11

Types Y. YL. Z. ZL.

GEARBOX

GEAR BOX COMPLETE, CASING COVER,
CHANGE SPEED LEVER, AND HANDBRAKE LEVER

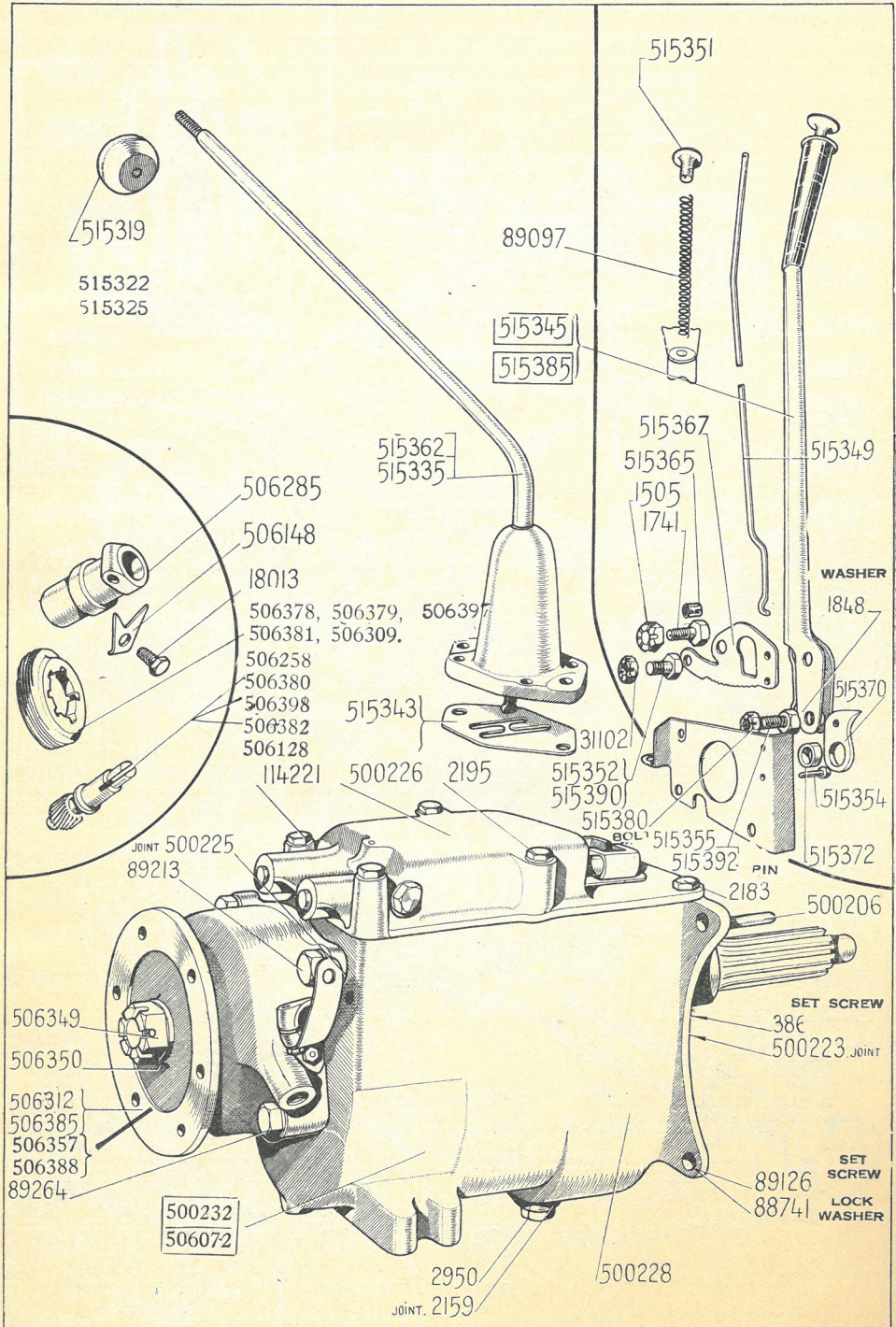


Illustration 12

GEARBOX

GEARS, SHAFTS AND
SELECTOR FORKS

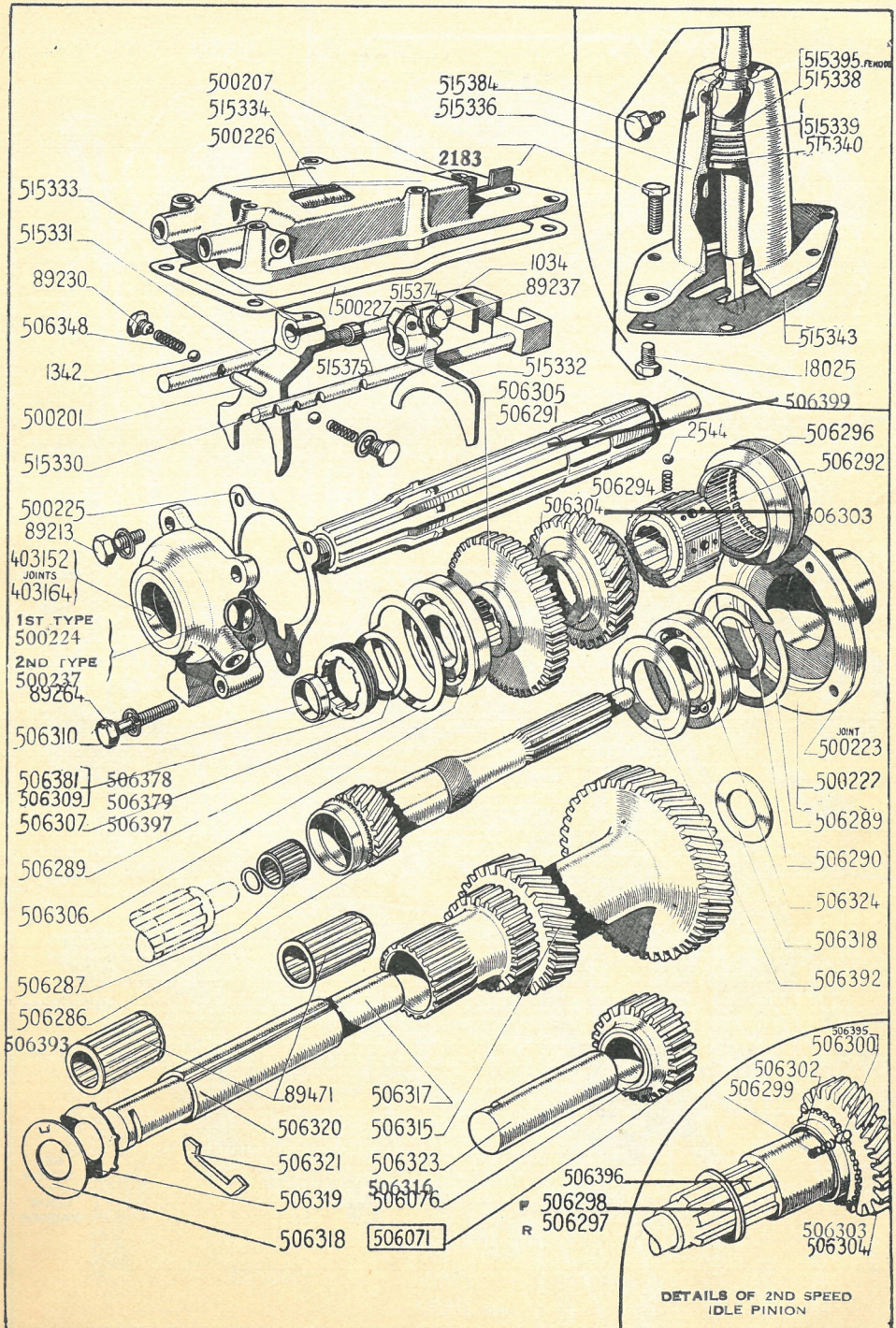


Illustration 13

FREE WHEEL

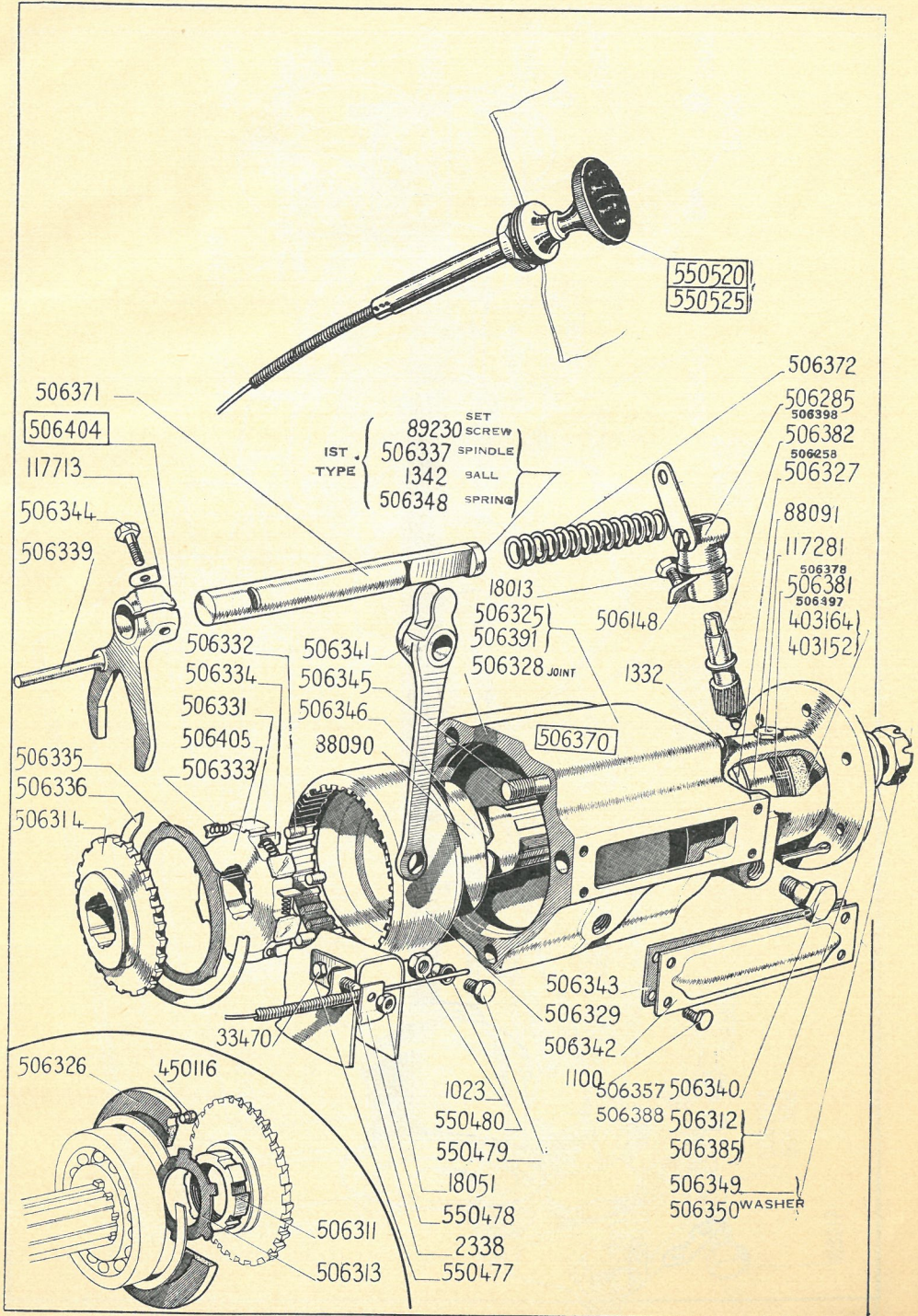


Illustration 14

PROPELLOR SHAFT

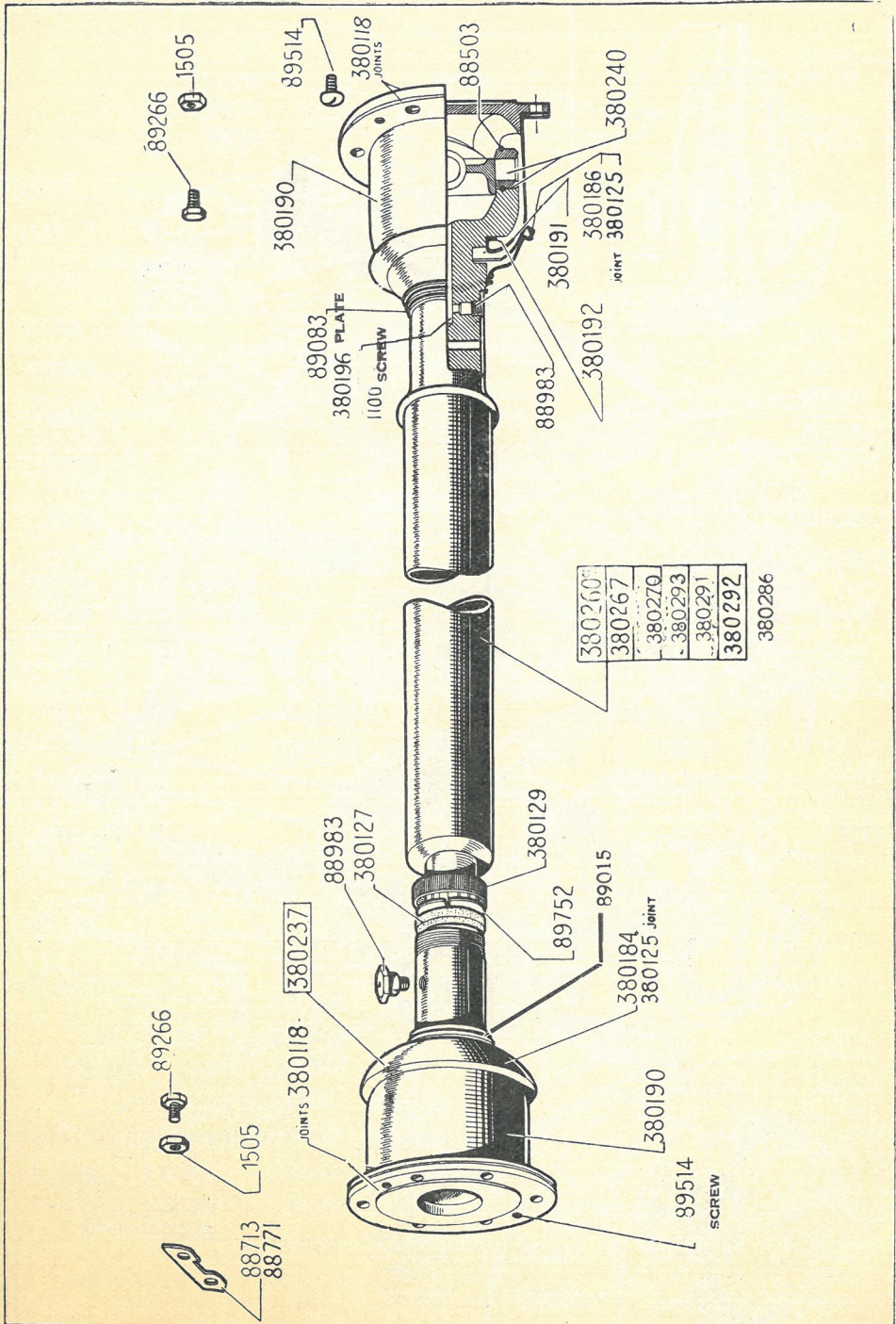


Illustration 15

Type Z.

PROPELLOR SHAFT

INTERMEDIATE PROPELLOR SHAFT

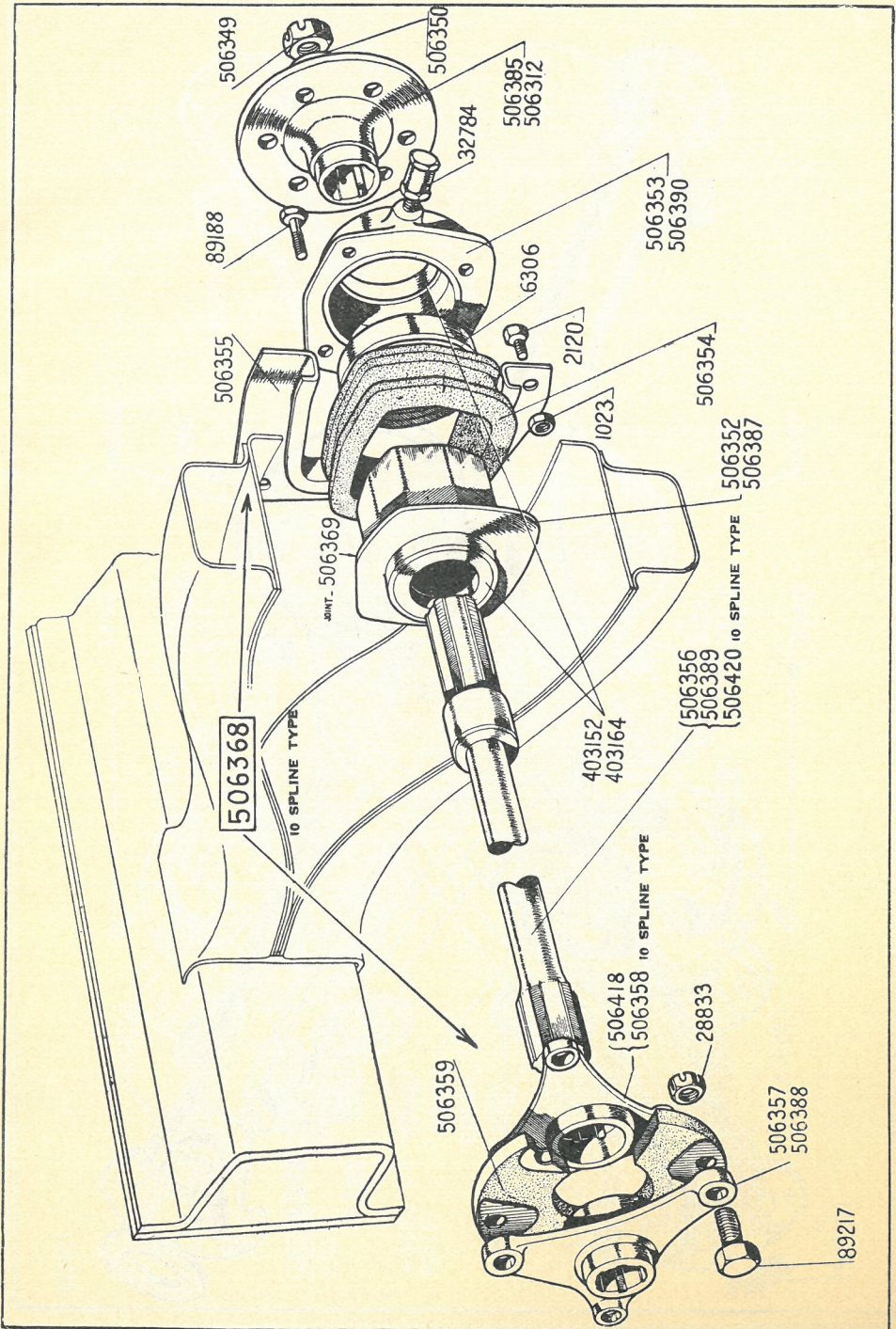


Illustration 16

Types Y. Z.

BACK AXLE

BACK AXLE, CASING AND BEVEL PINION HOUSING

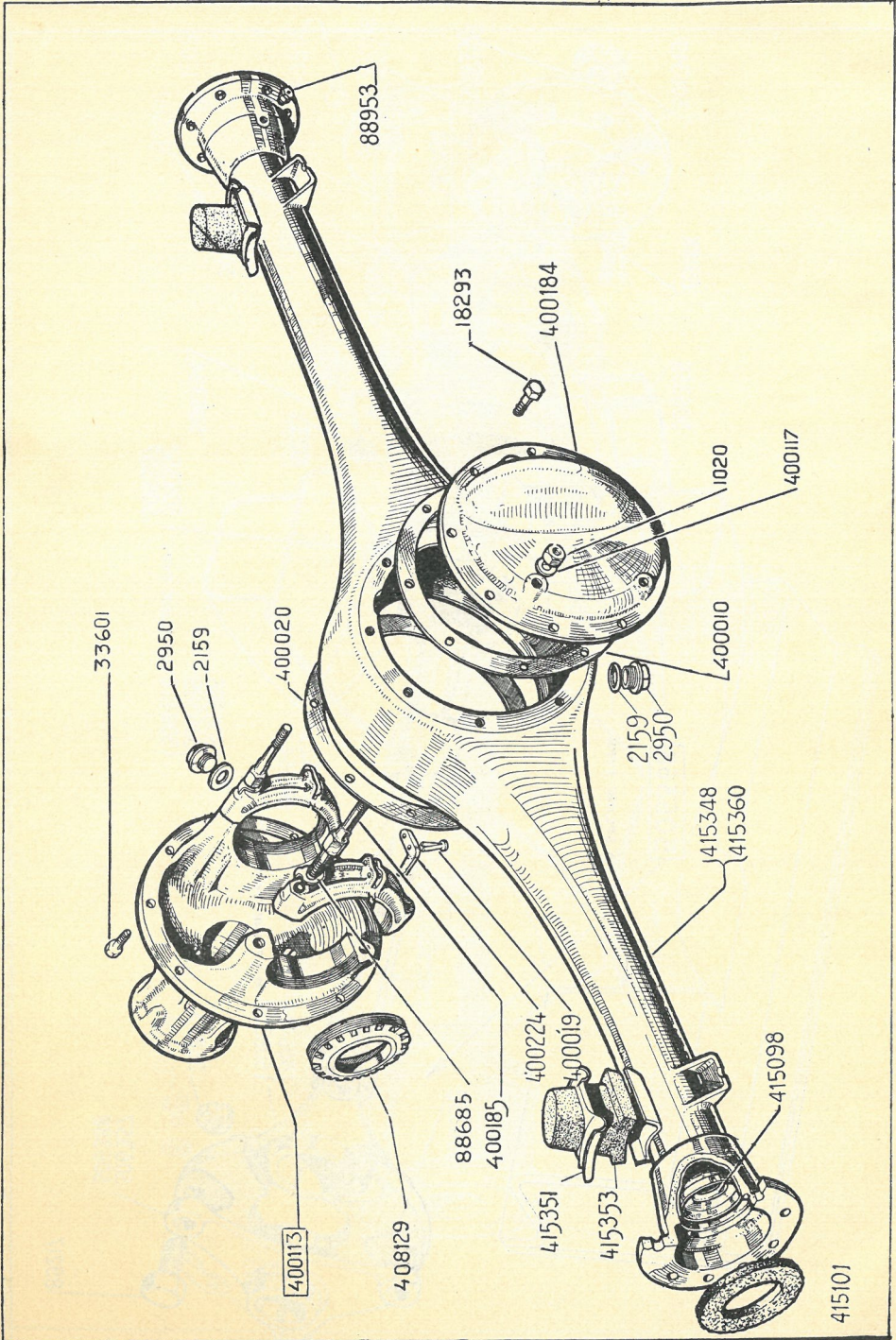


Illustration 17

BACK AXLE

BACK AXLE CASING
AND BEVEL PINION HOUSING

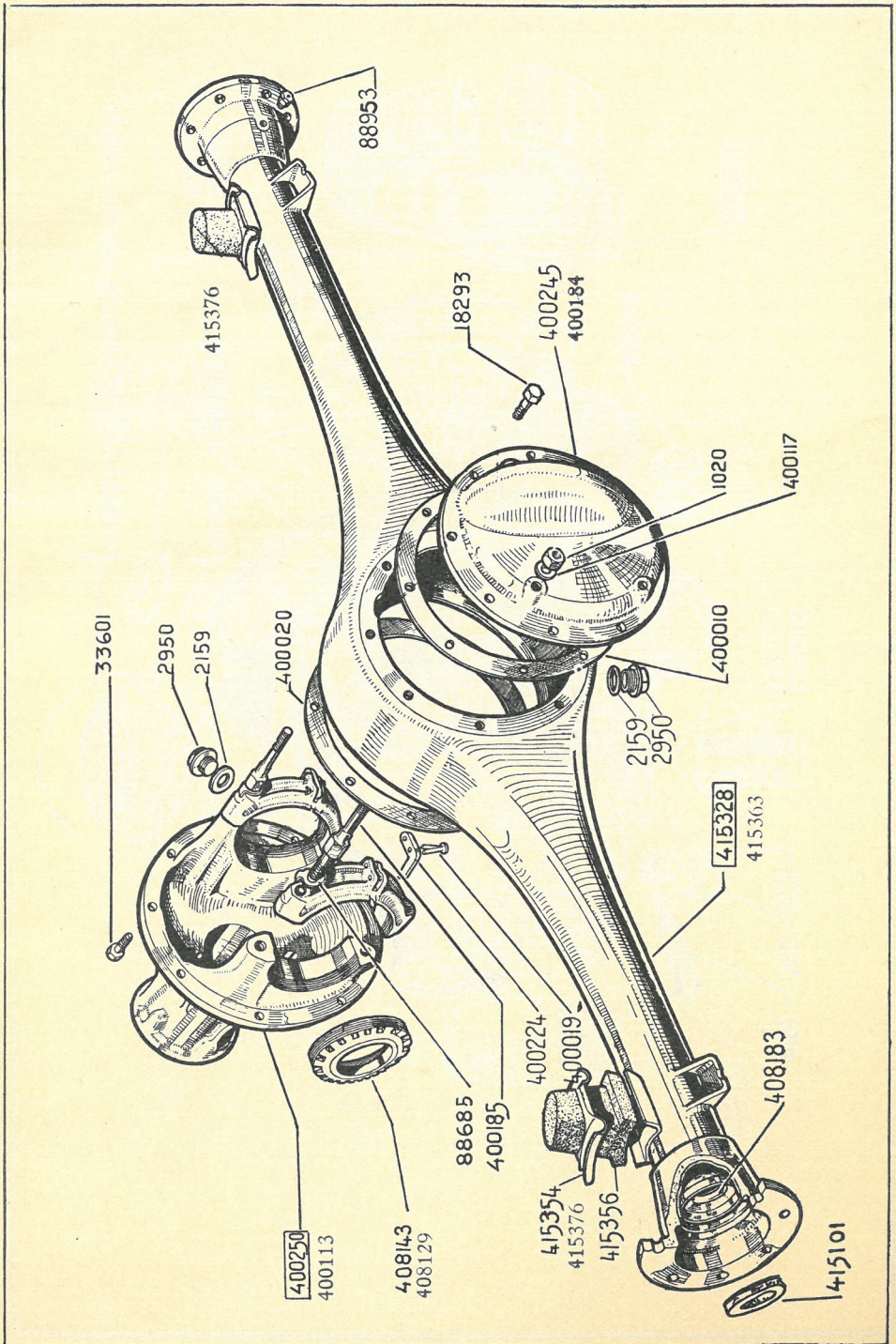


Illustration 18

BACK AXLE

DIFFERENTIAL

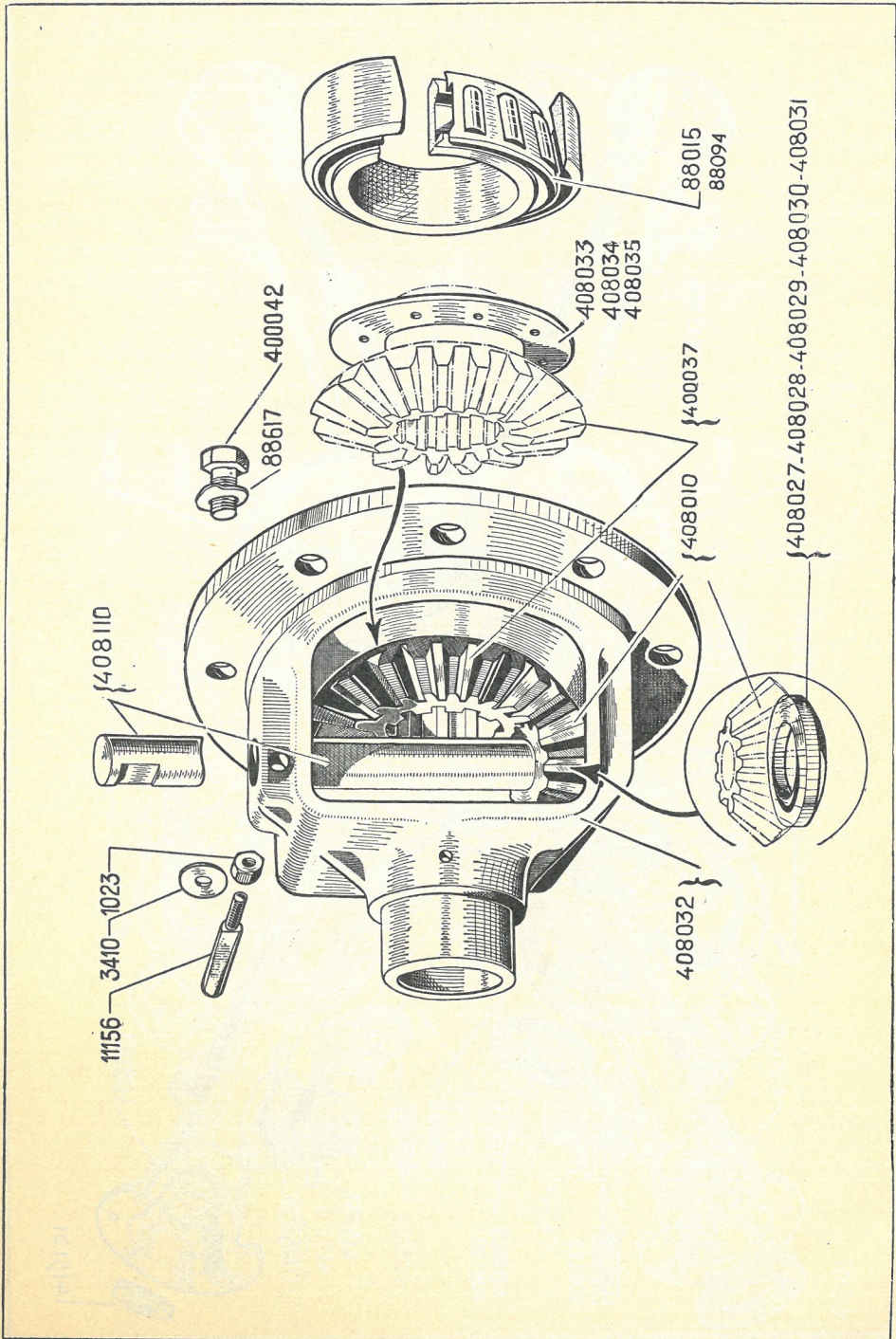
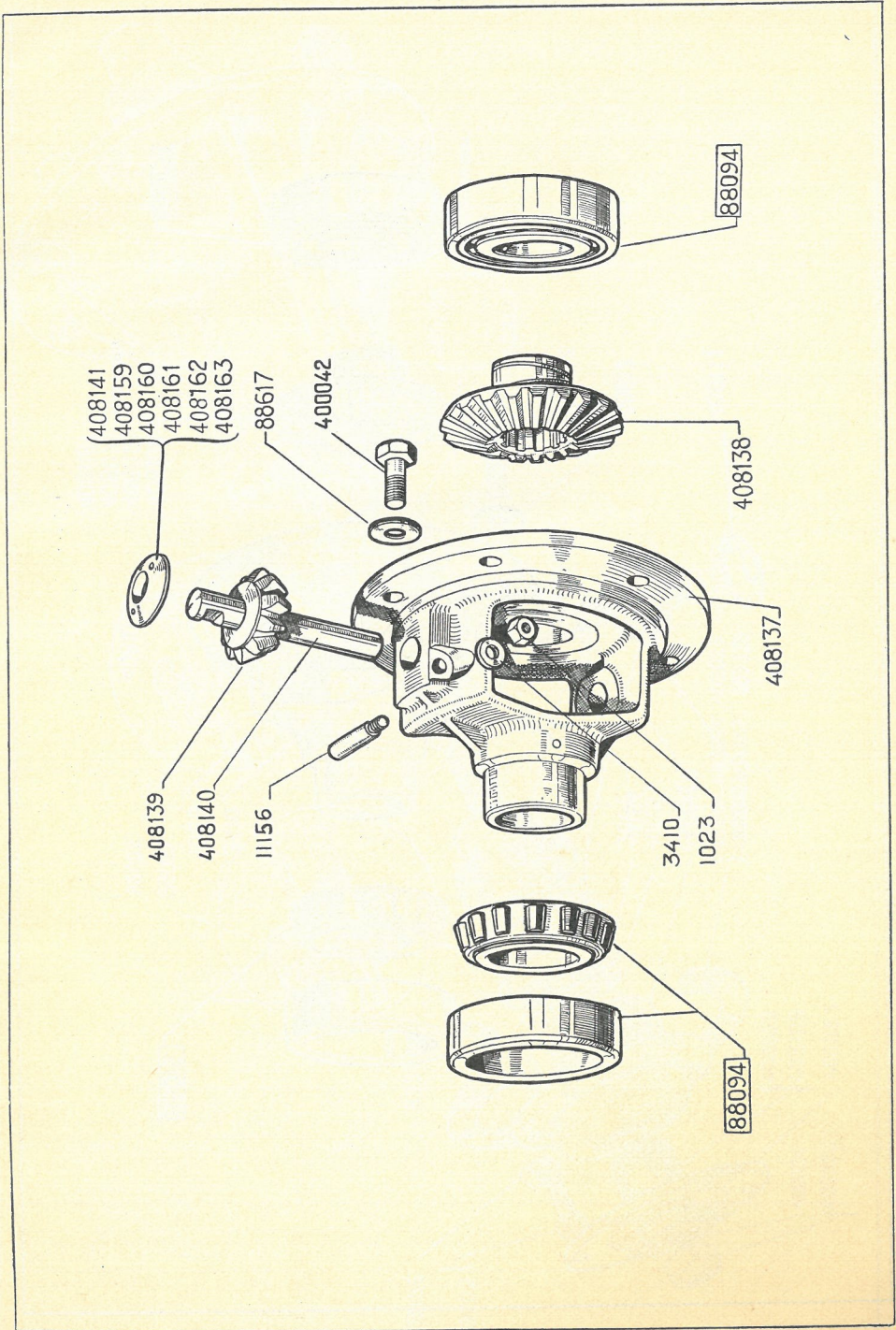


Illustration 19

REAR AXLE

DIFFERENTIAL



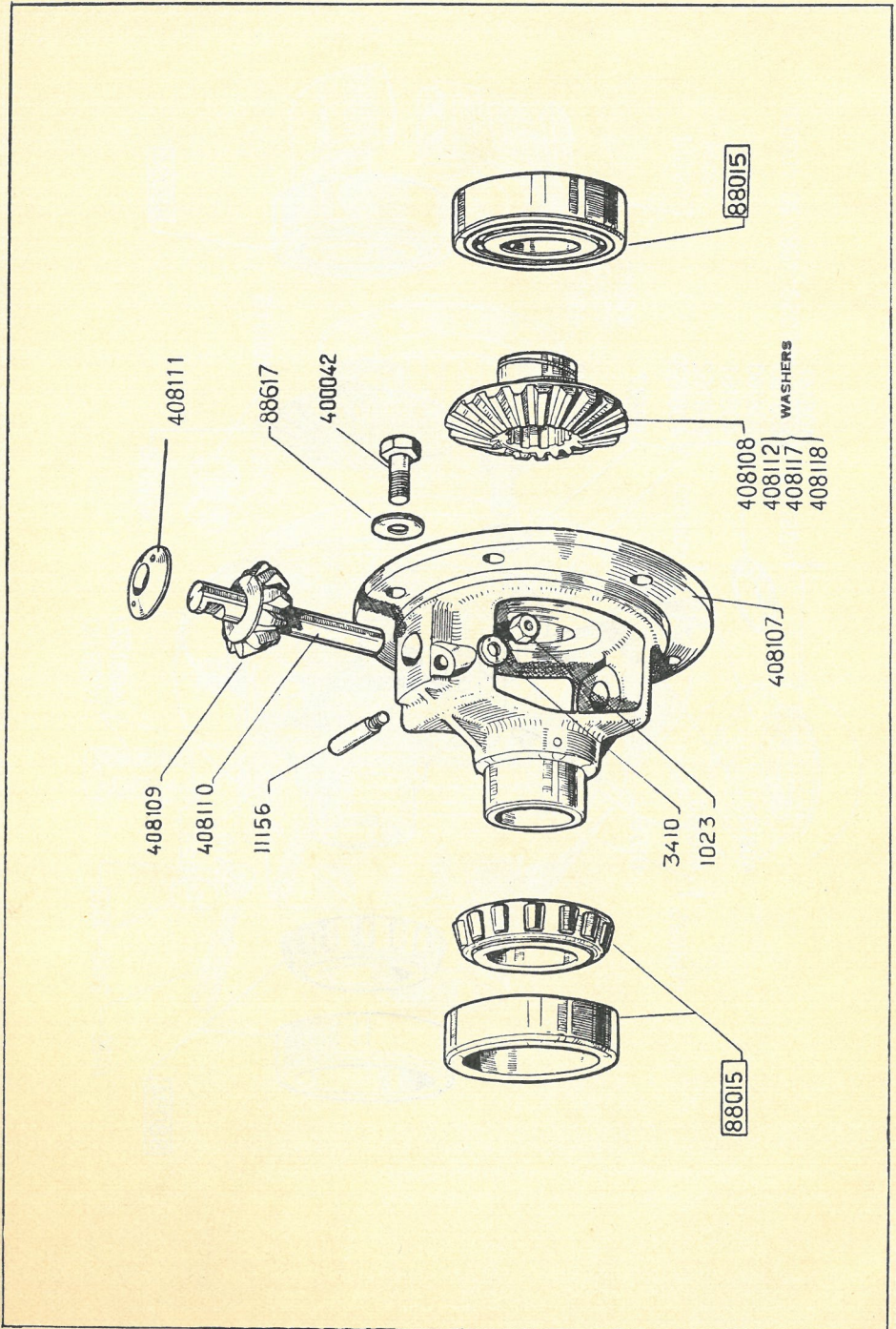


Illustration 21

Type Y.

BACK AXLE

CROWN WHEEL AND PINION

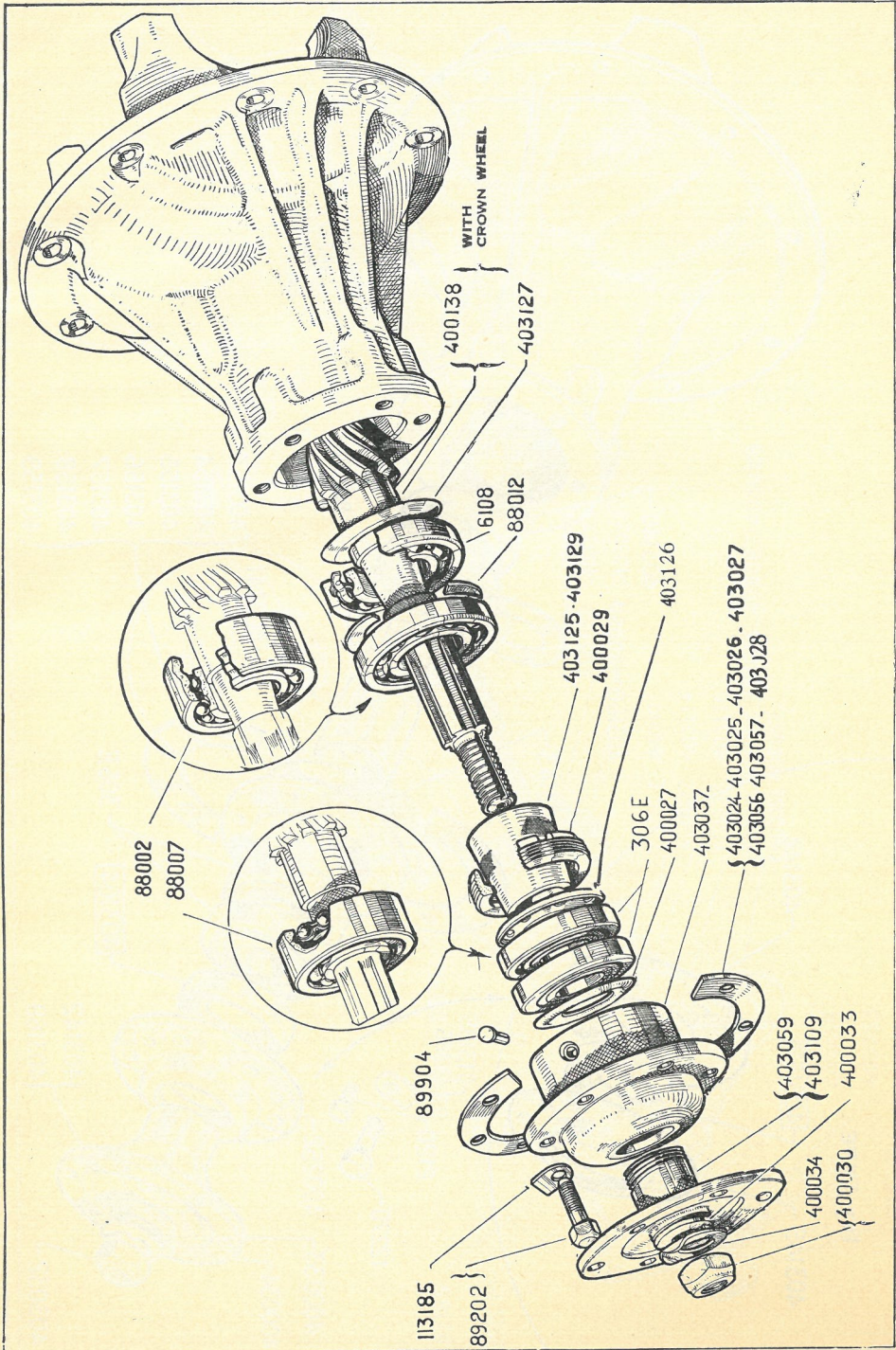


Illustration 22

BACK AXLE

CROWN WHEEL AND PINION

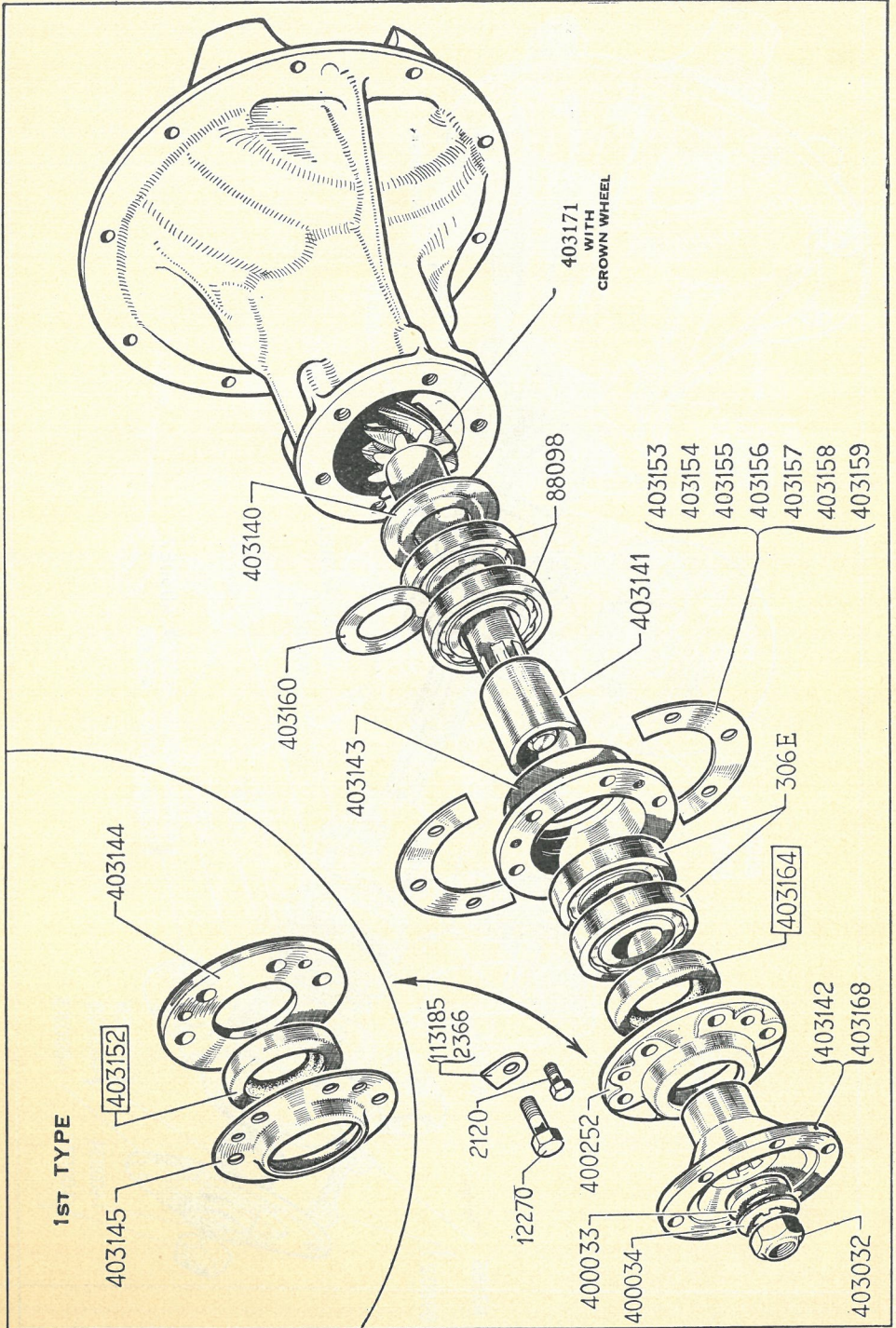


Illustration 23

BACK AXLE

CROWN WHEEL
AND PINION

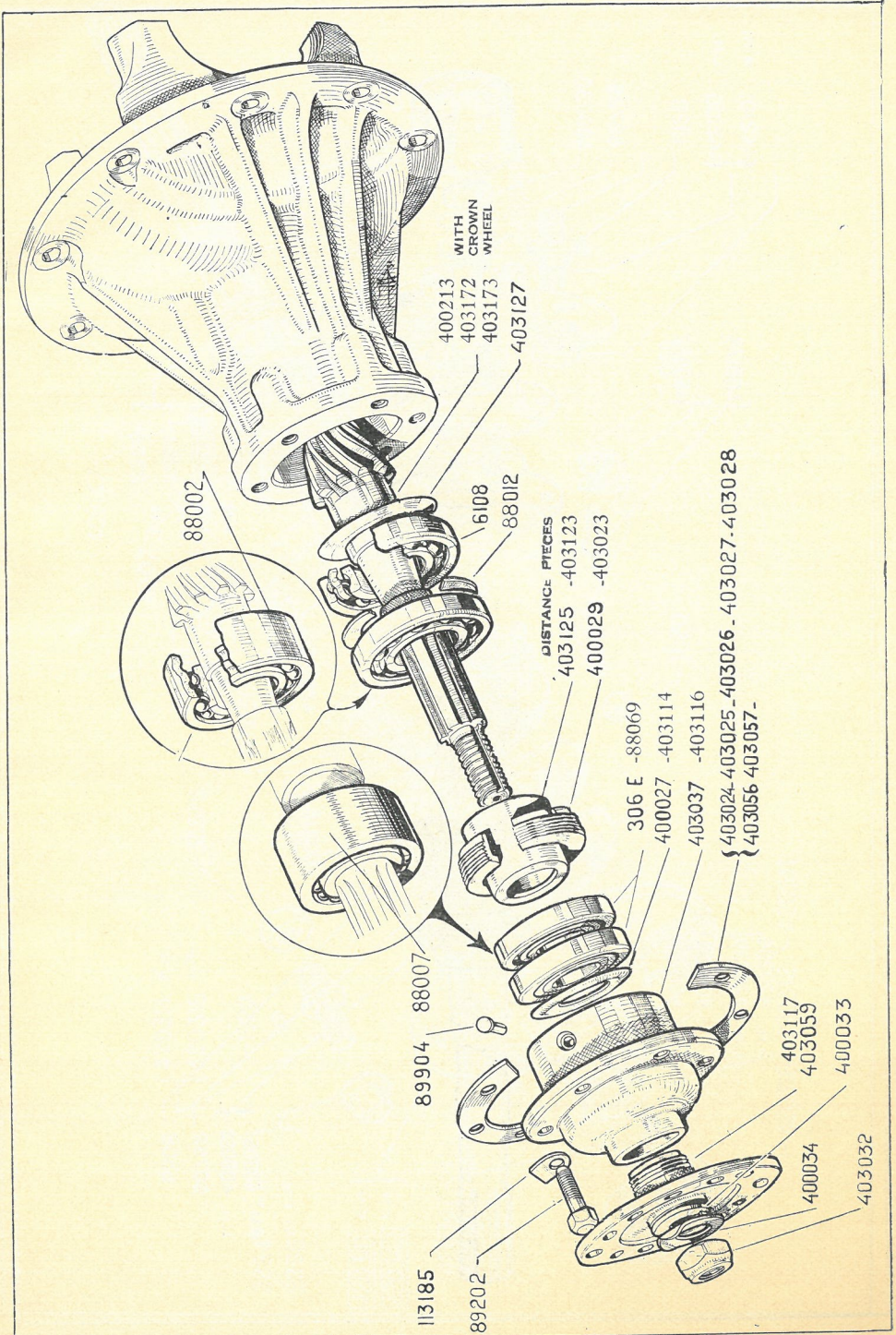


Illustration 24

BACK AXLE

AXLE SHAFTS, HUBS

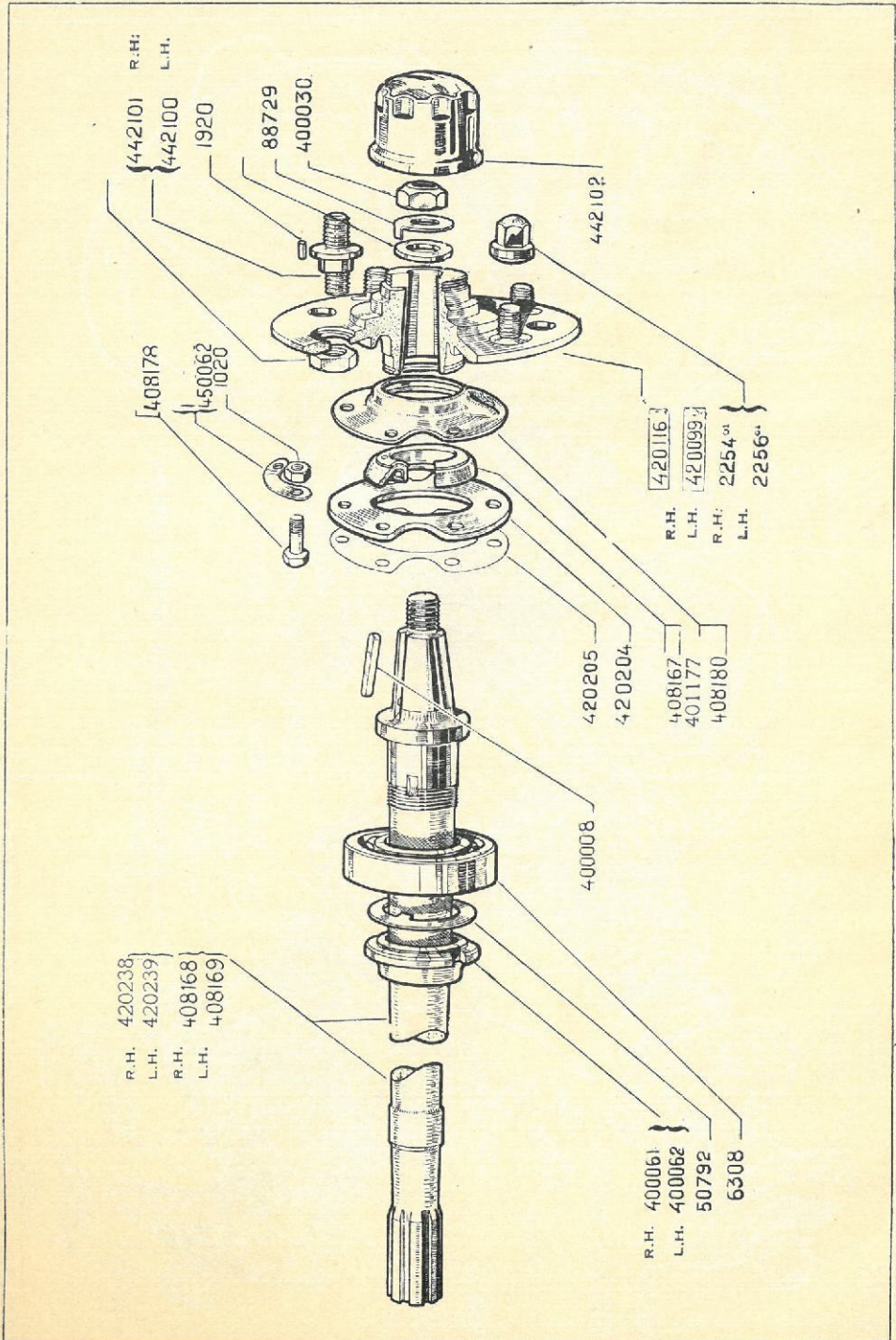


Illustration 25

Type YL.

BACK AXLE

AXLE SHAFTS, HUBS

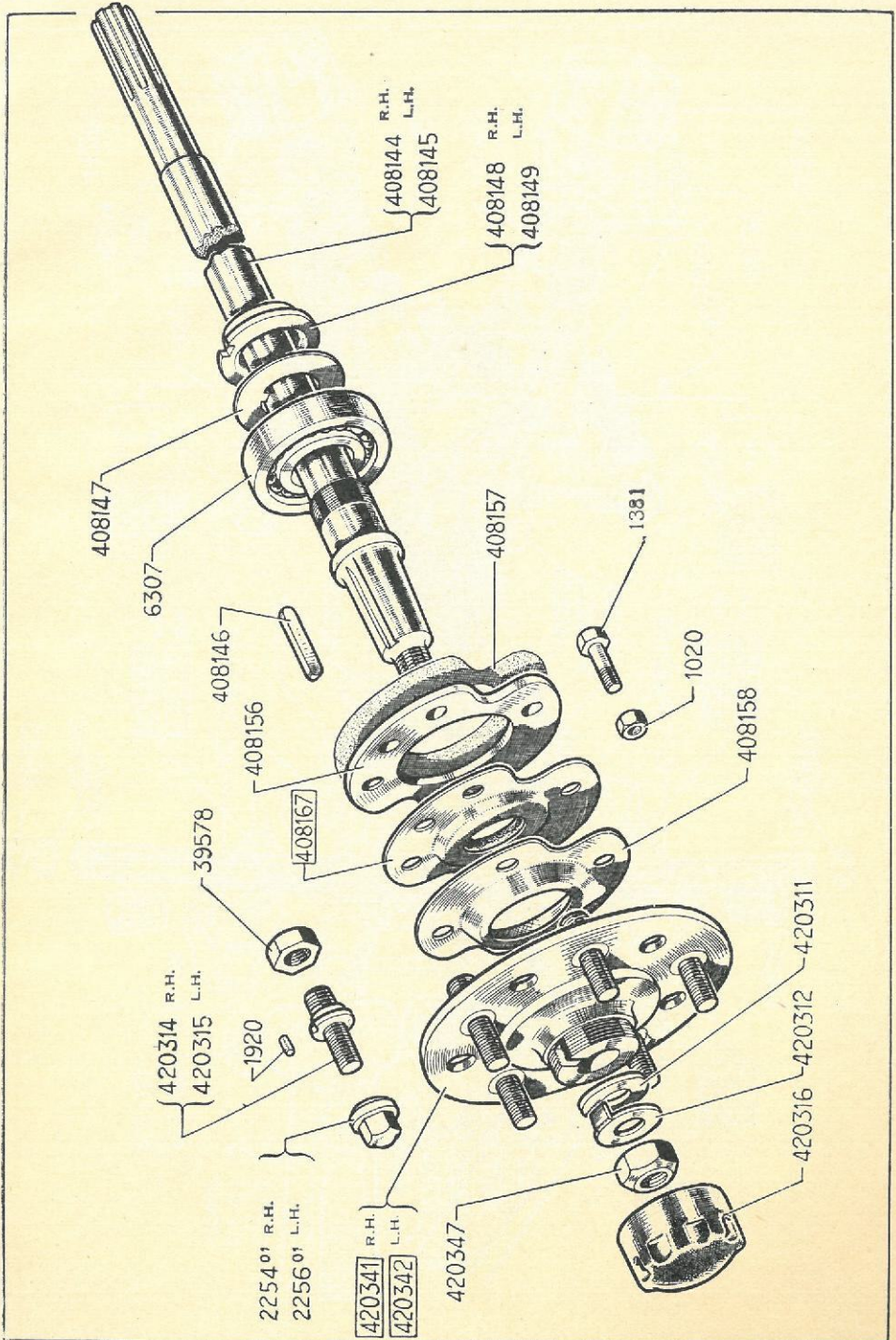


Illustration 26

Types Y. Z. ZL.

FRONT AXLE

FRONT AXLE COMPLETE, FRONT AXLE, STUB AXLE AND HUBS

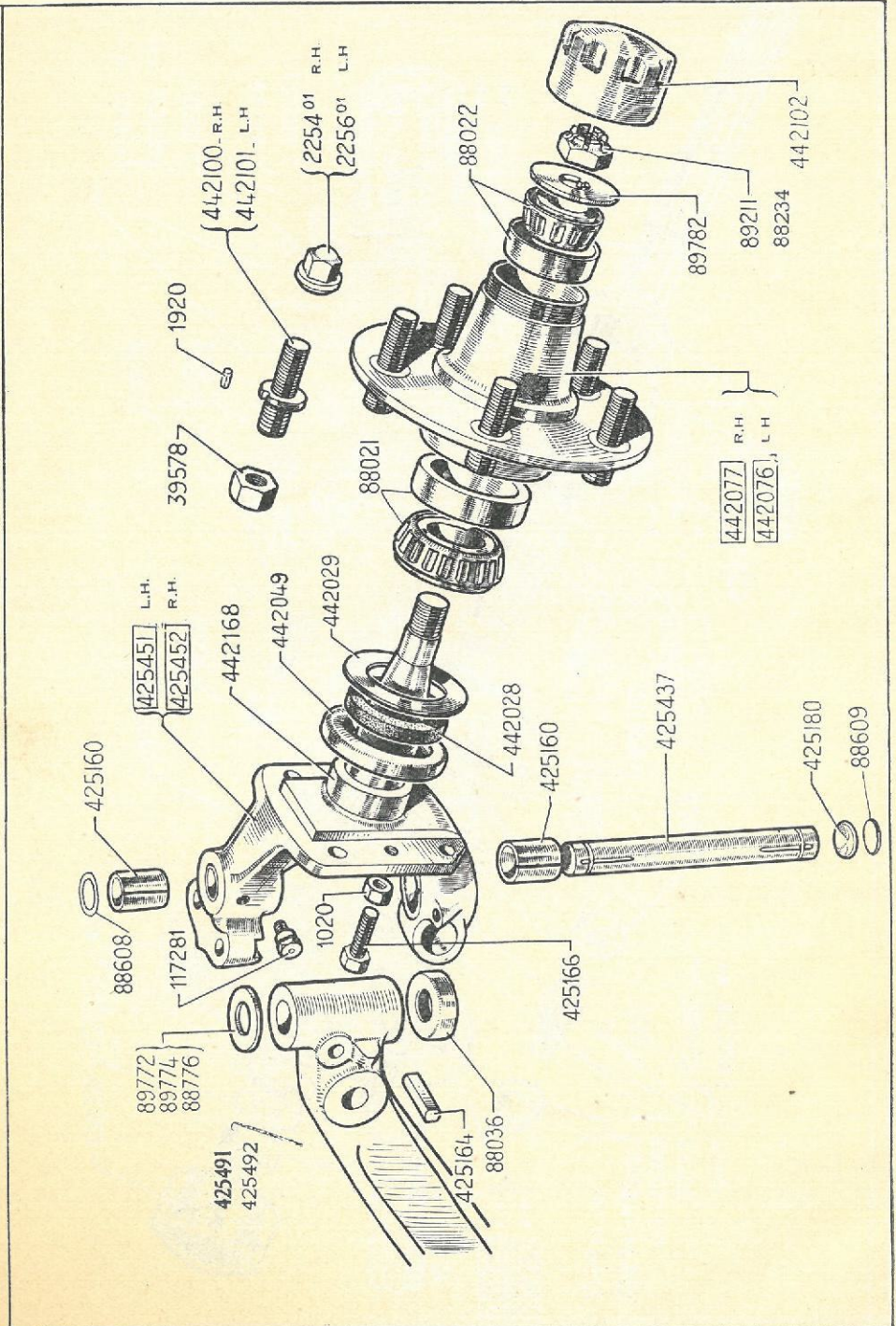
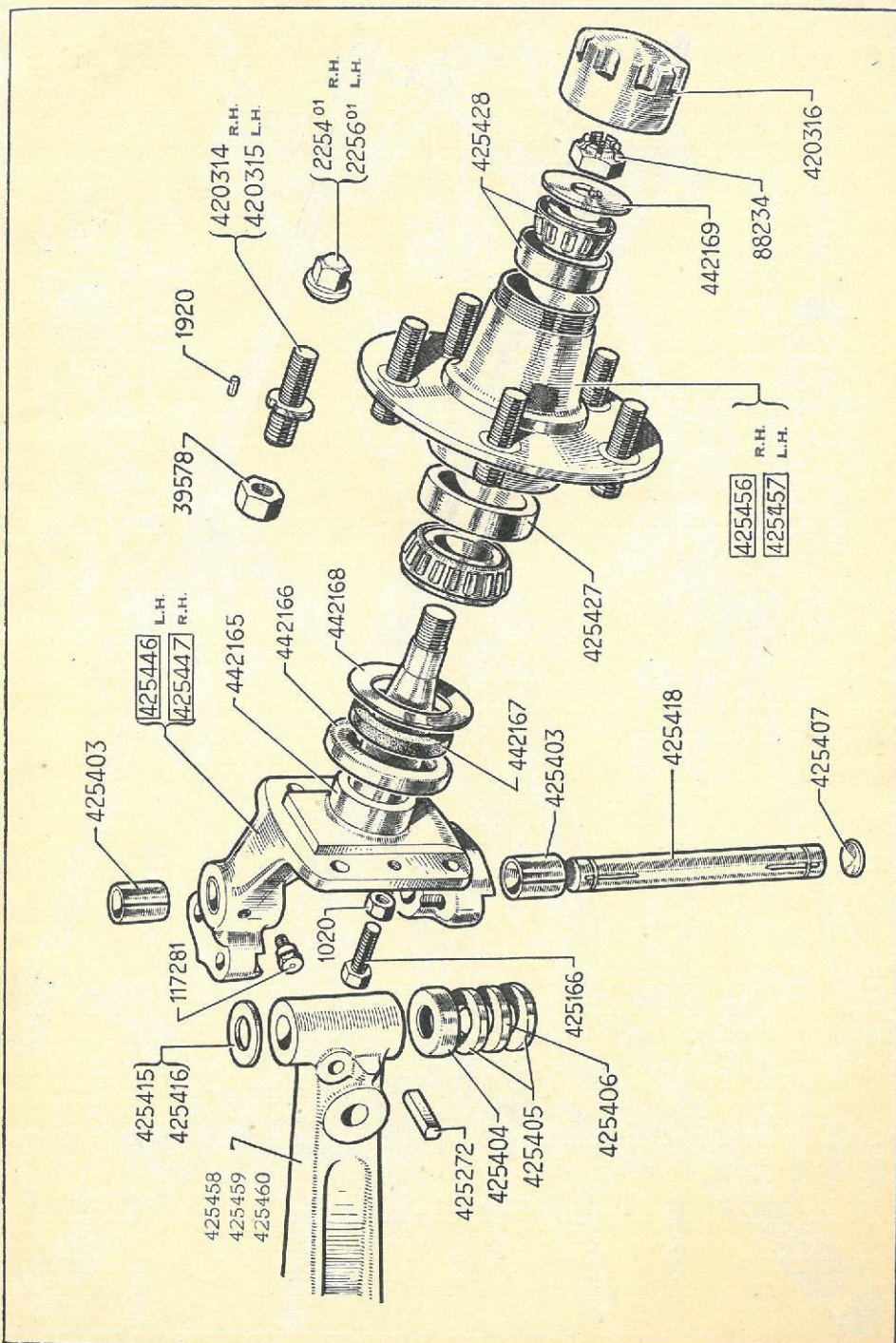


Illustration 27

FRONT AXLE

Type YL.

AXLE STAMPING, STUB AXLE, HUBS



FRONT AXLE

STEERING SIDE ROD, LEVERS,
AND TRACK ROD

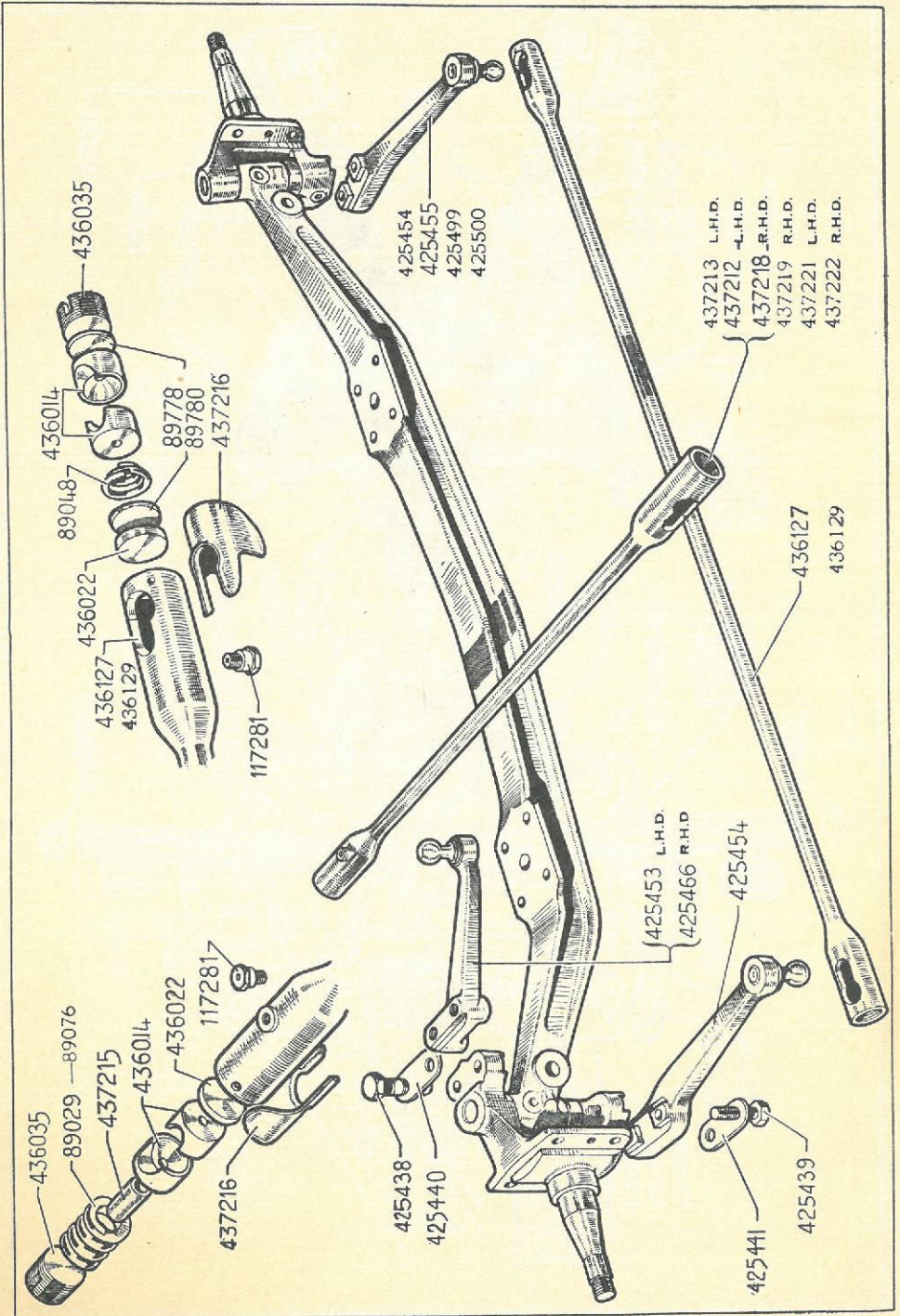


Illustration 29

Type YL.

FRONT AXLE

STEERING SIDE ROD, LEVERS, AND TRACK ROD

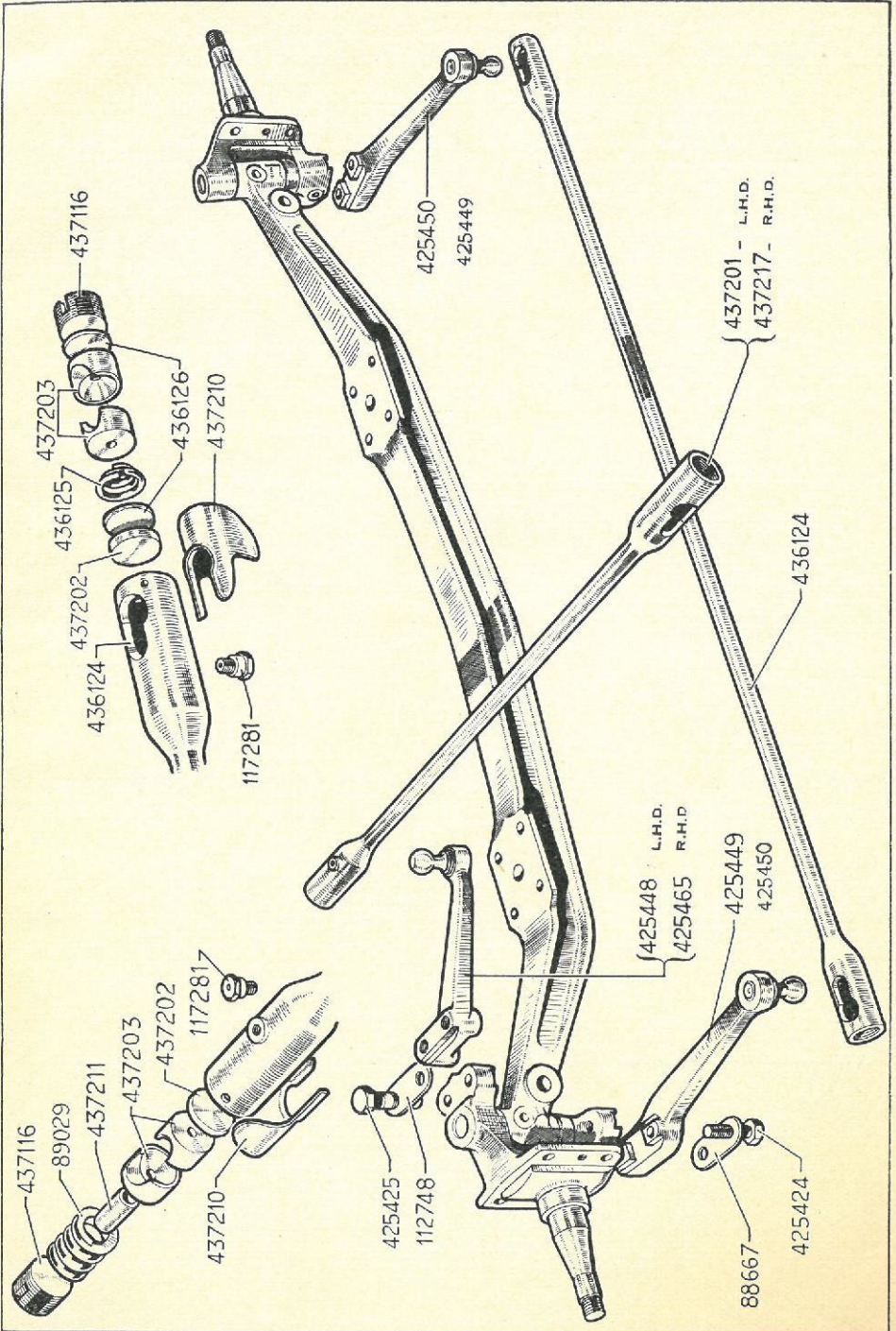
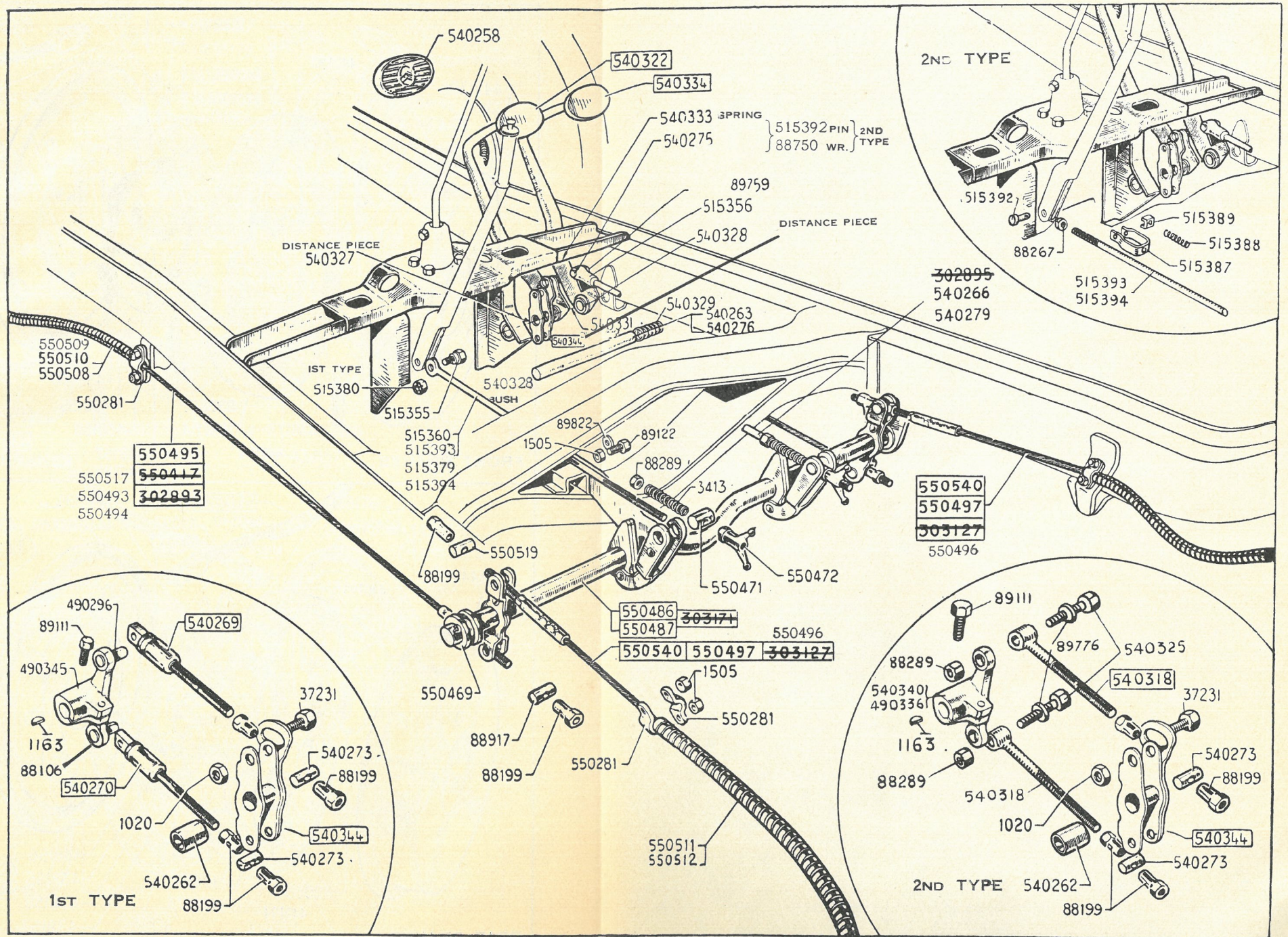


Illustration 30

BRAKES
(R.H.D.)

BRAKE AND CLUTCH PEDAL ASSEMBLY,
BRAKE CROSS SHAFT AND CABLES



Types Y. Z. ZL.

BRAKES

CABLES, BRAKE DRUMS, AND BRAKE SHOES

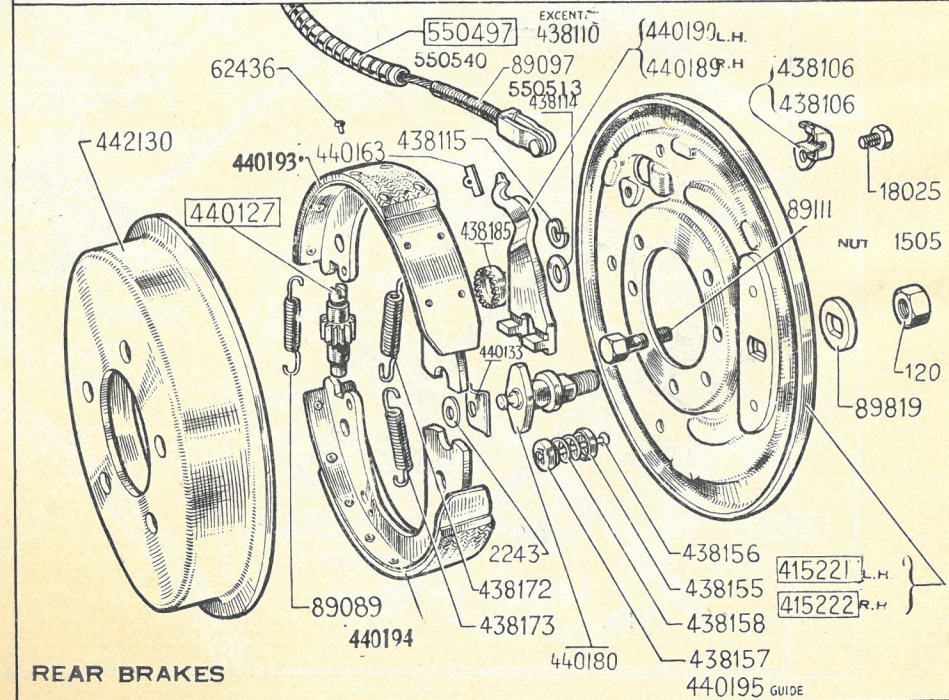
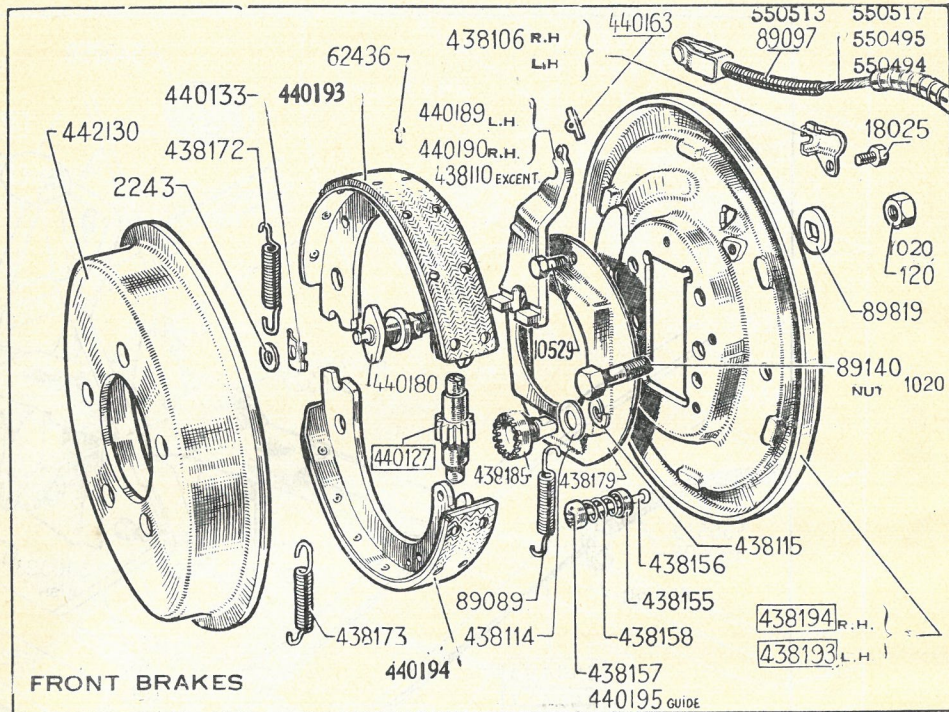


Illustration 32

Type YL.

BRAKES

CABLES, BRAKE DRUMS, AND BRAKE SHOES

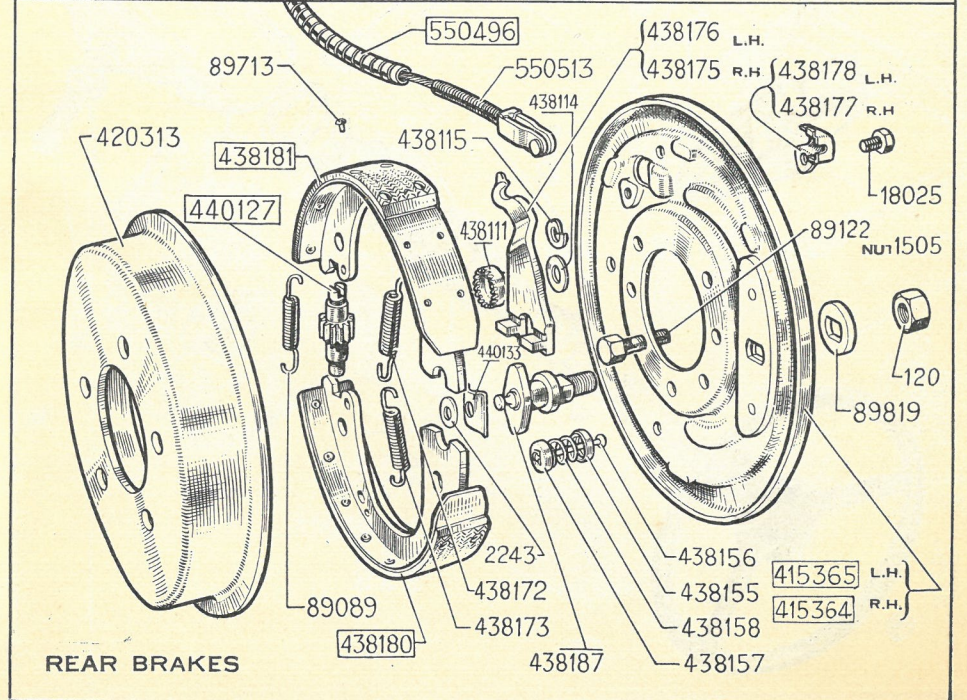
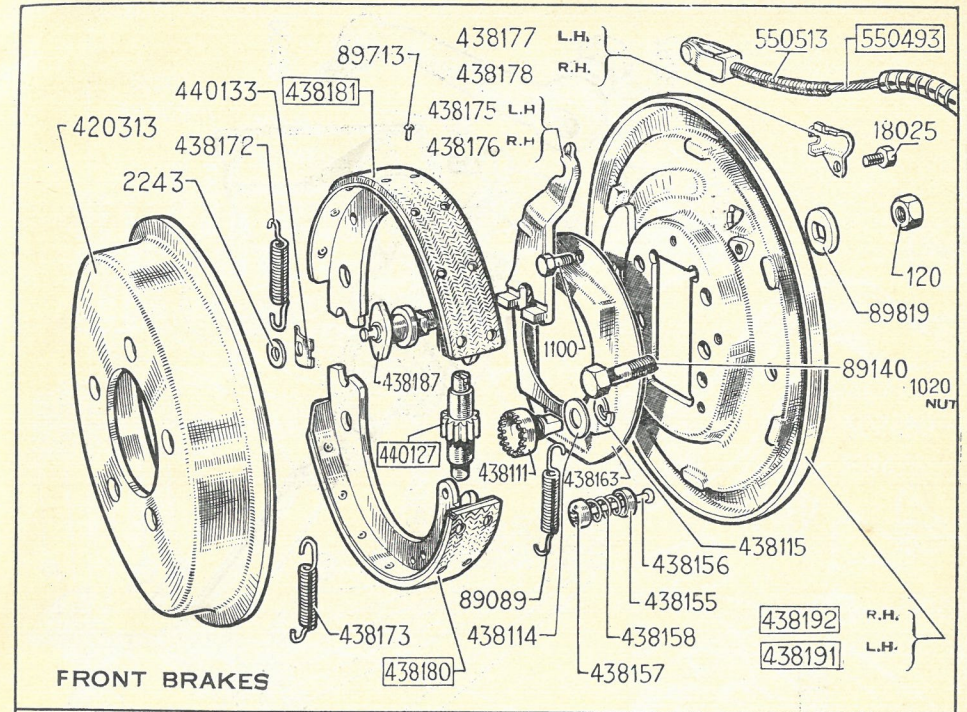


Illustration 33

STEERING

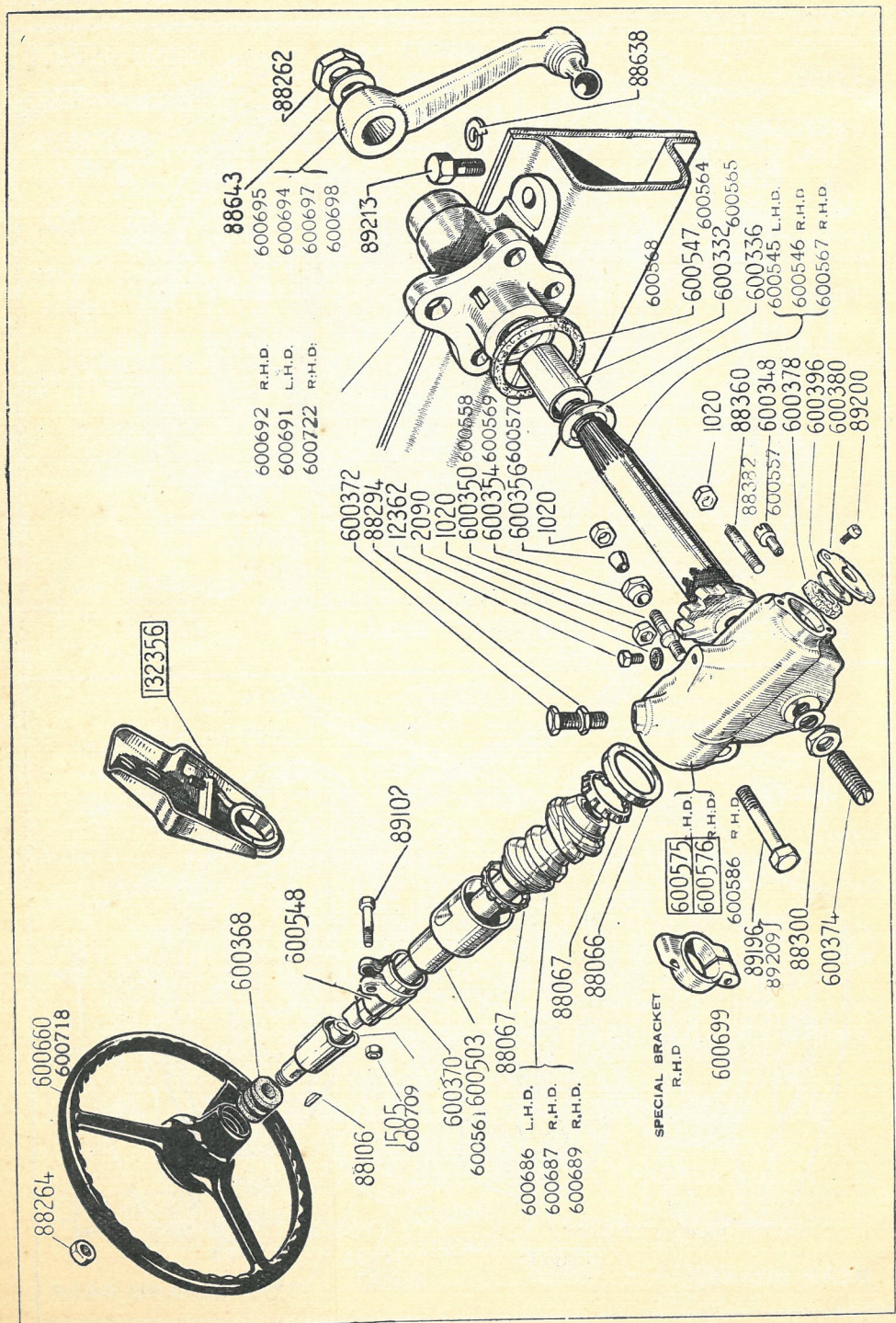


Illustration 34

STEERING

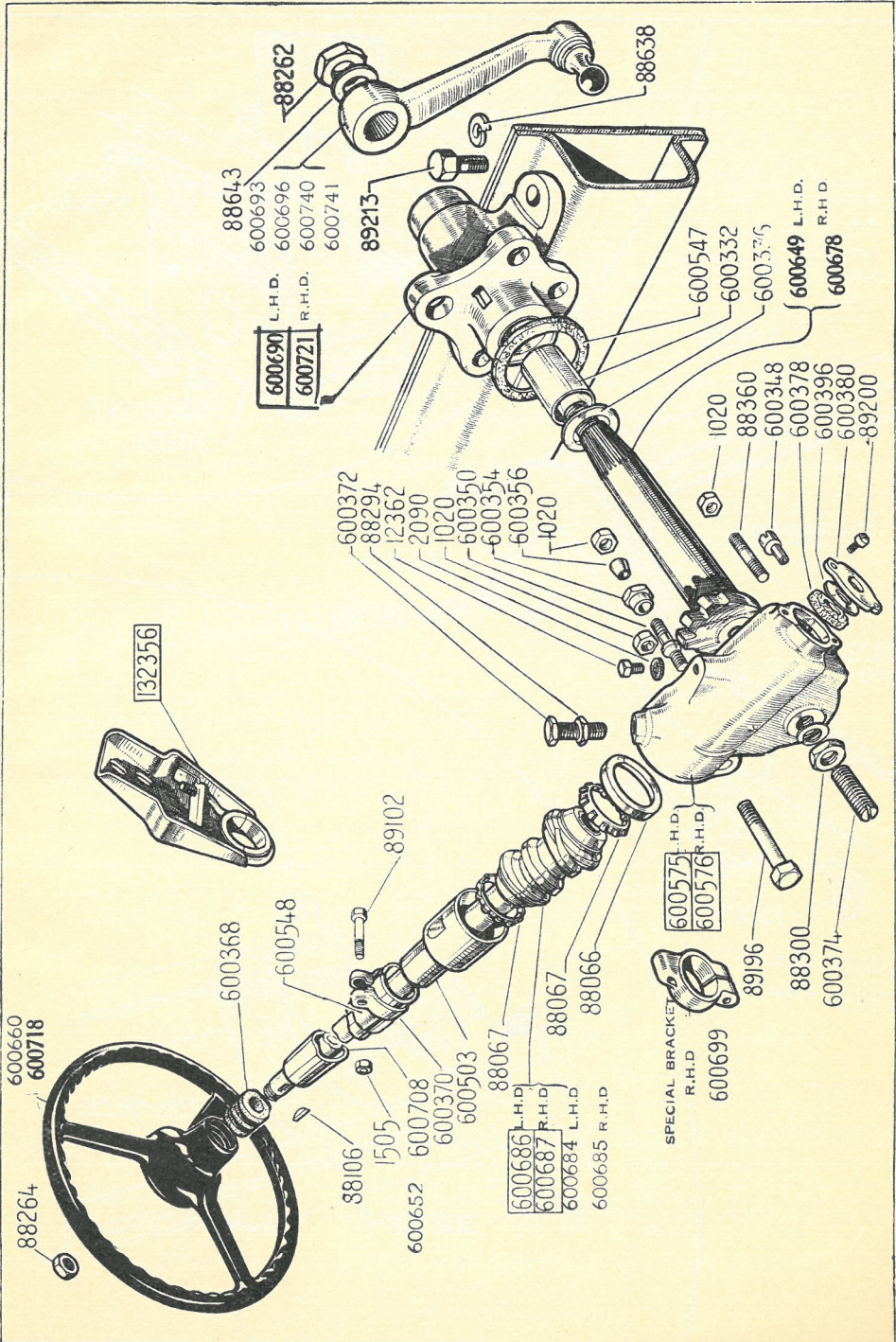
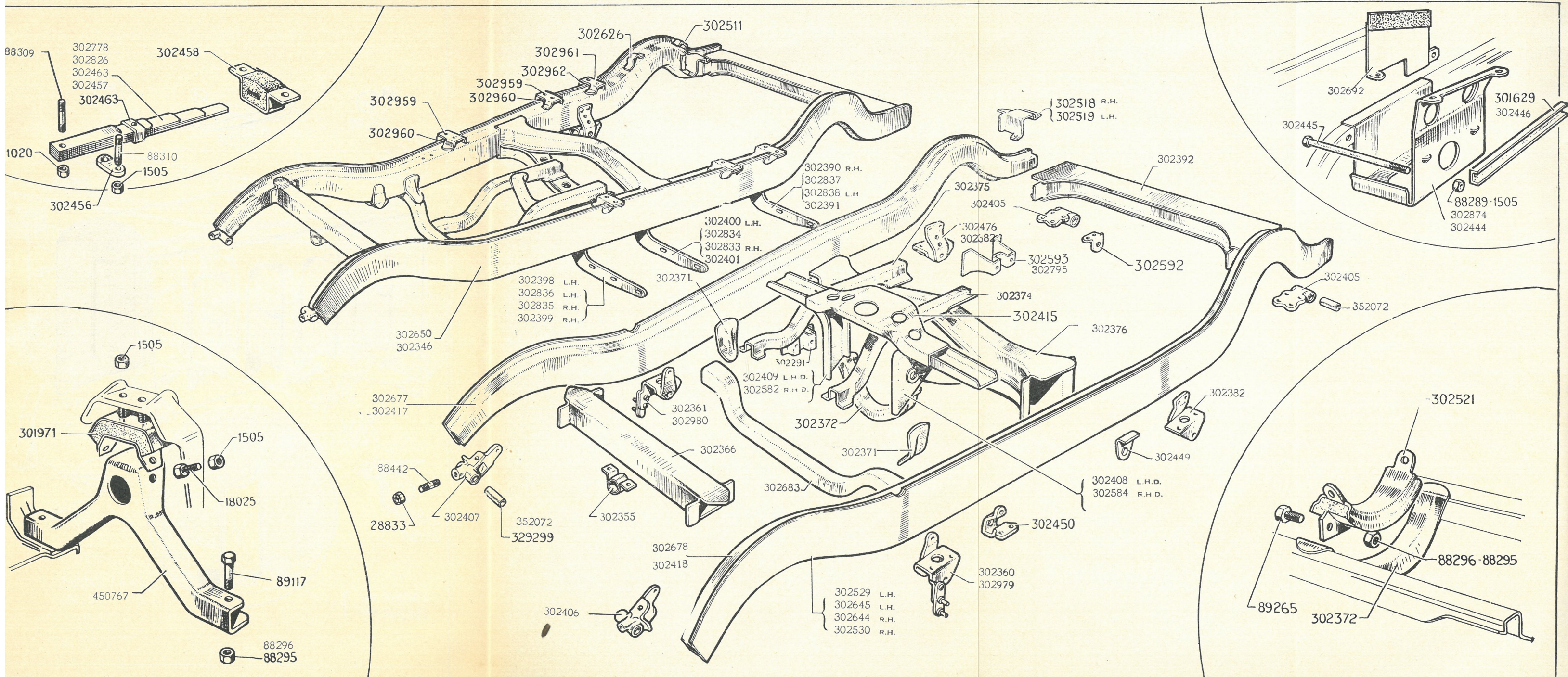


Illustration 35

HASSIS

FRAME, ACCUMULATOR CARRIER, ENGINE, FLEXIBLE SUSPENSION



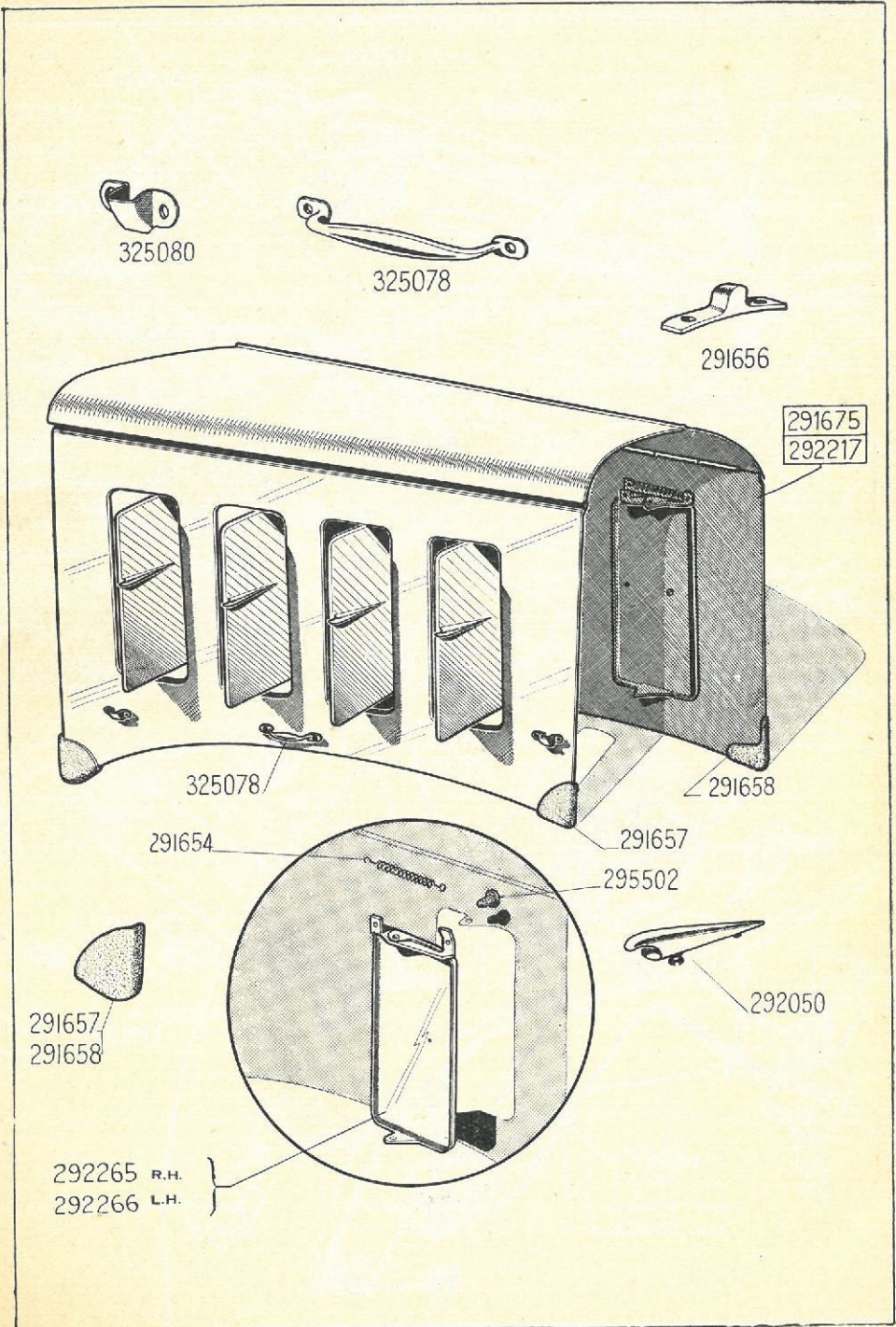


Illustration 38

CHASSIS

BONNET

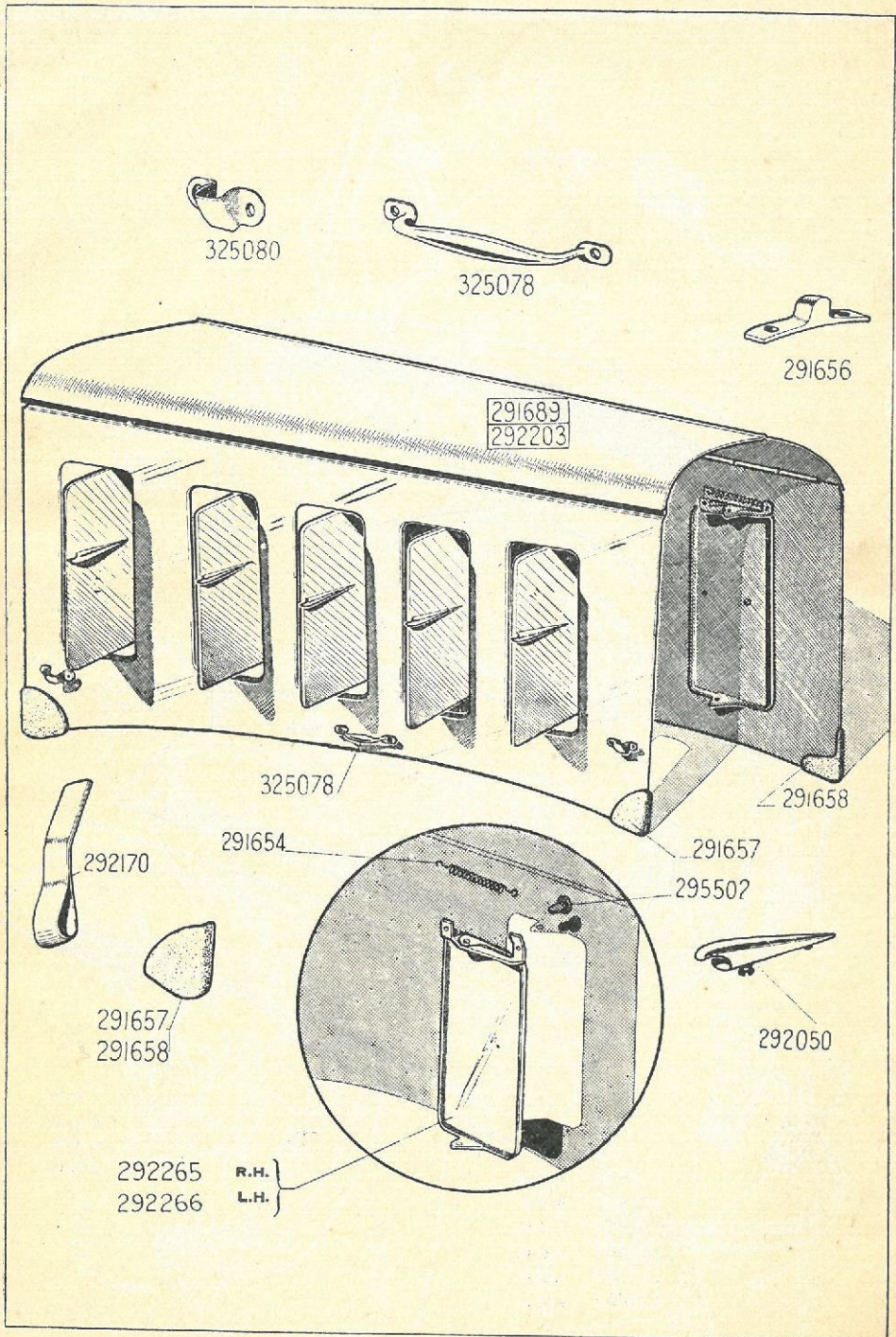


Illustration 39

CHASSIS

DASHBOARD

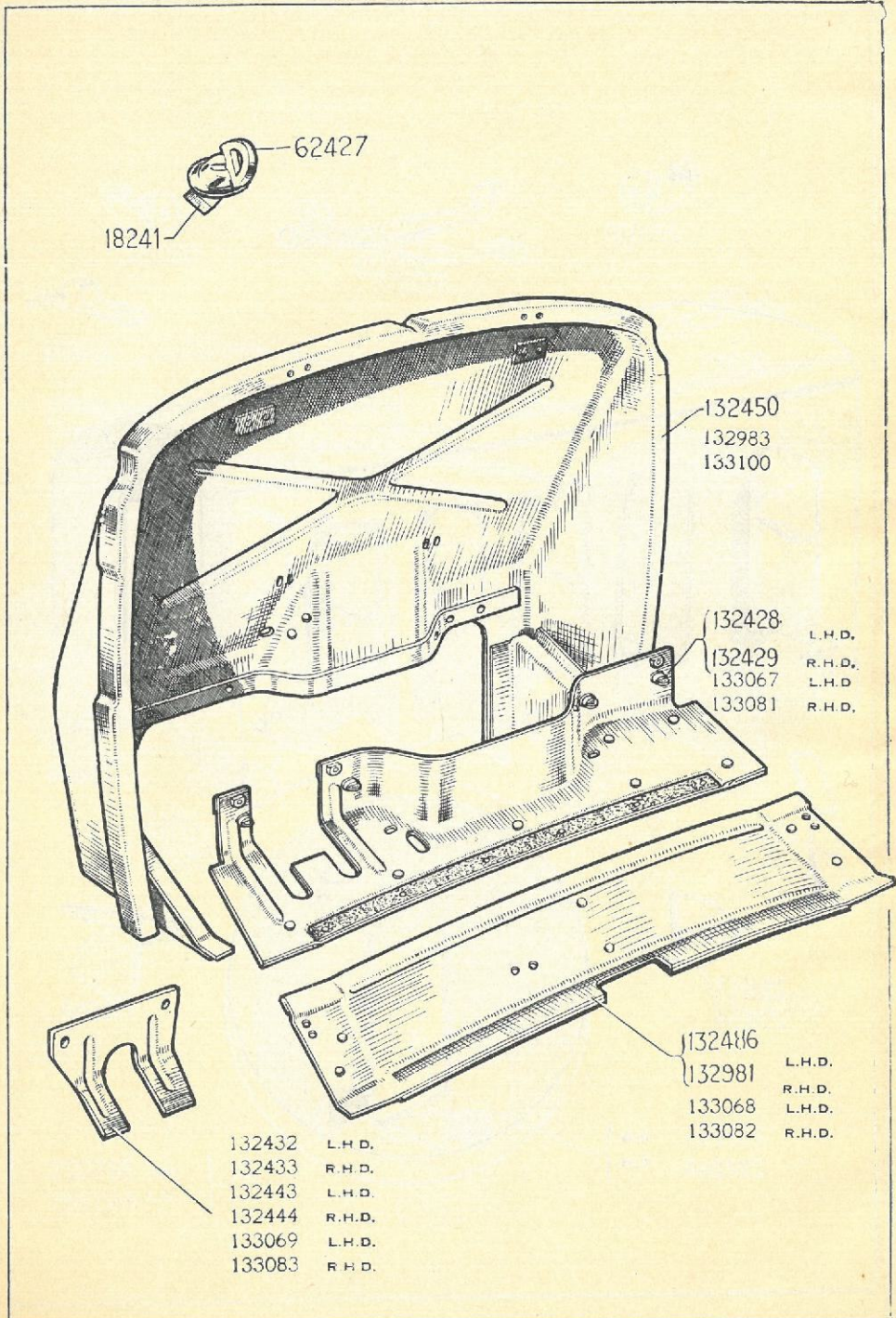


Illustration 40

CHASSIS

SILENCER AND ENGINE UNDER TRAY

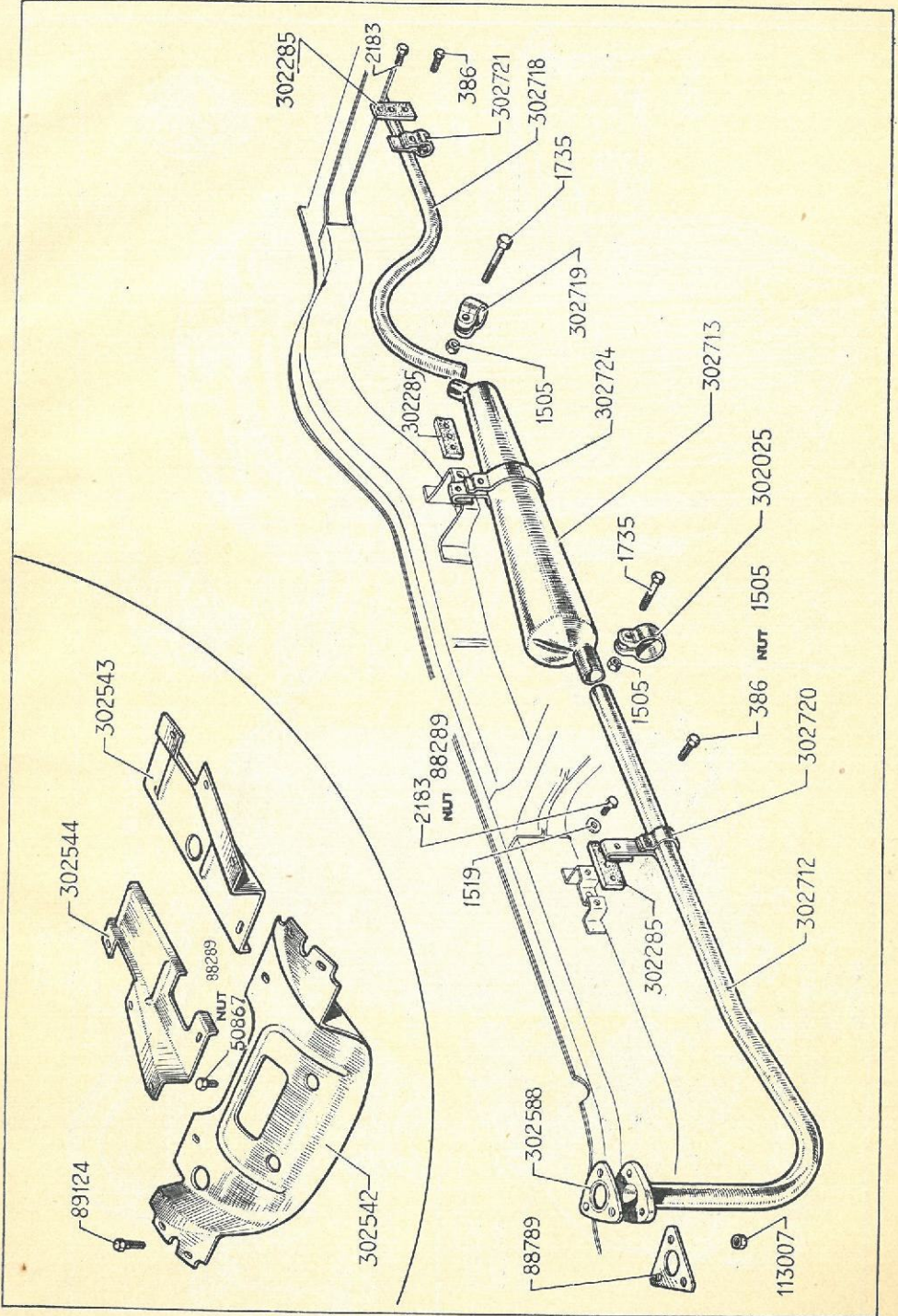


Illustration 41

CHASSIS

SILENCER AND ENGINE UNDER TRAY

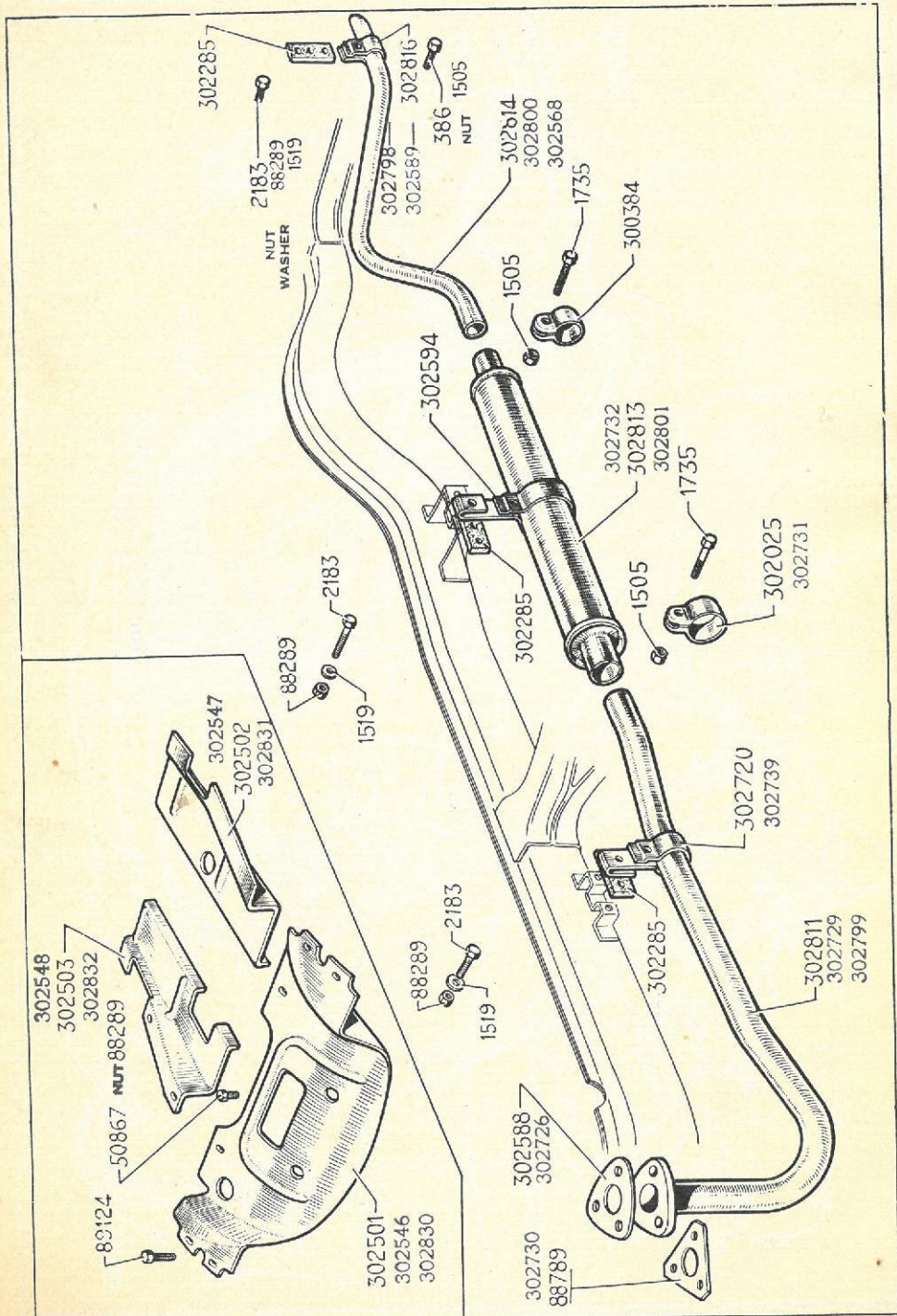


Illustration 42

CHASSIS

RADIATOR

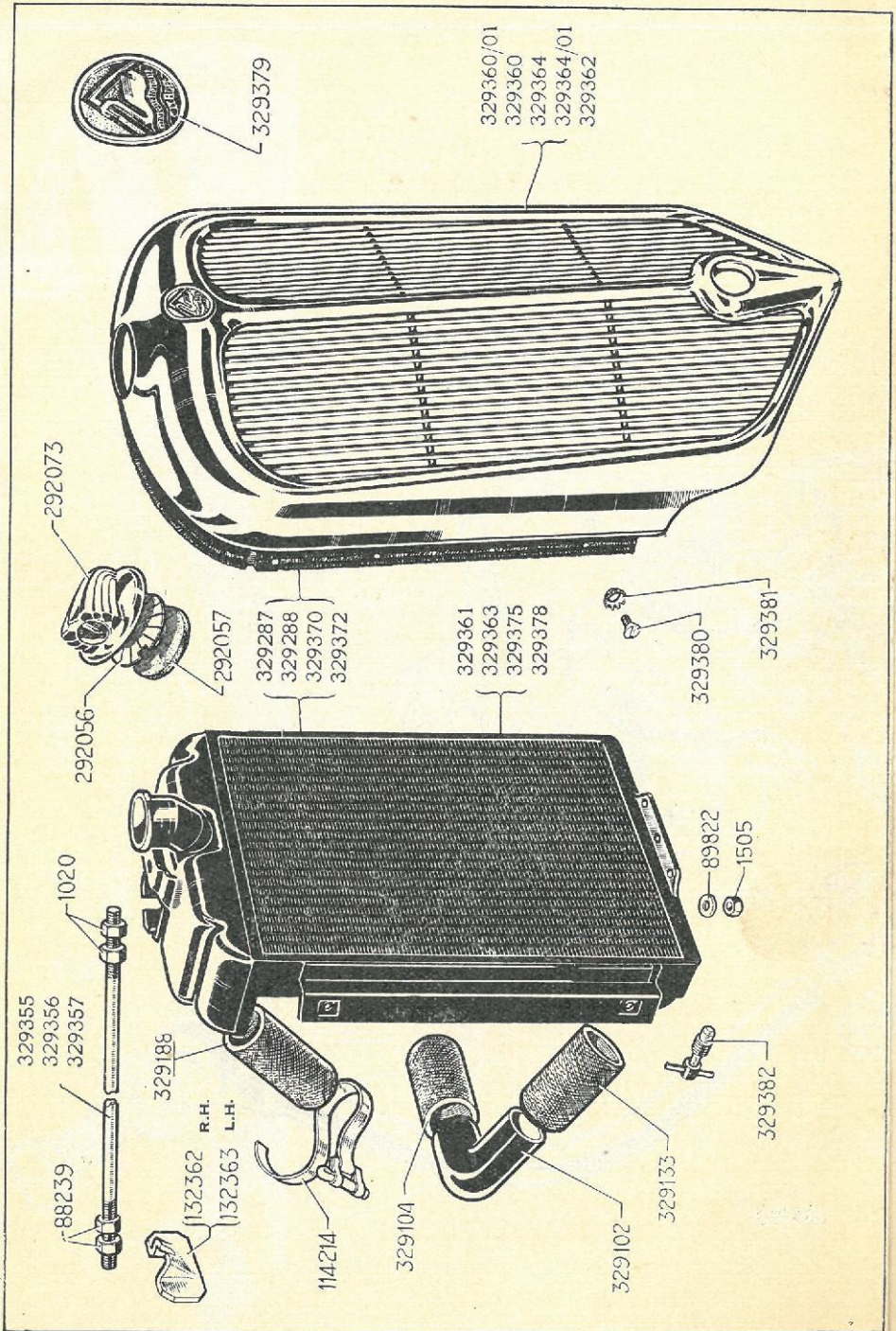


Illustration 43

CHASSIS

PETROL FEED, PUMP

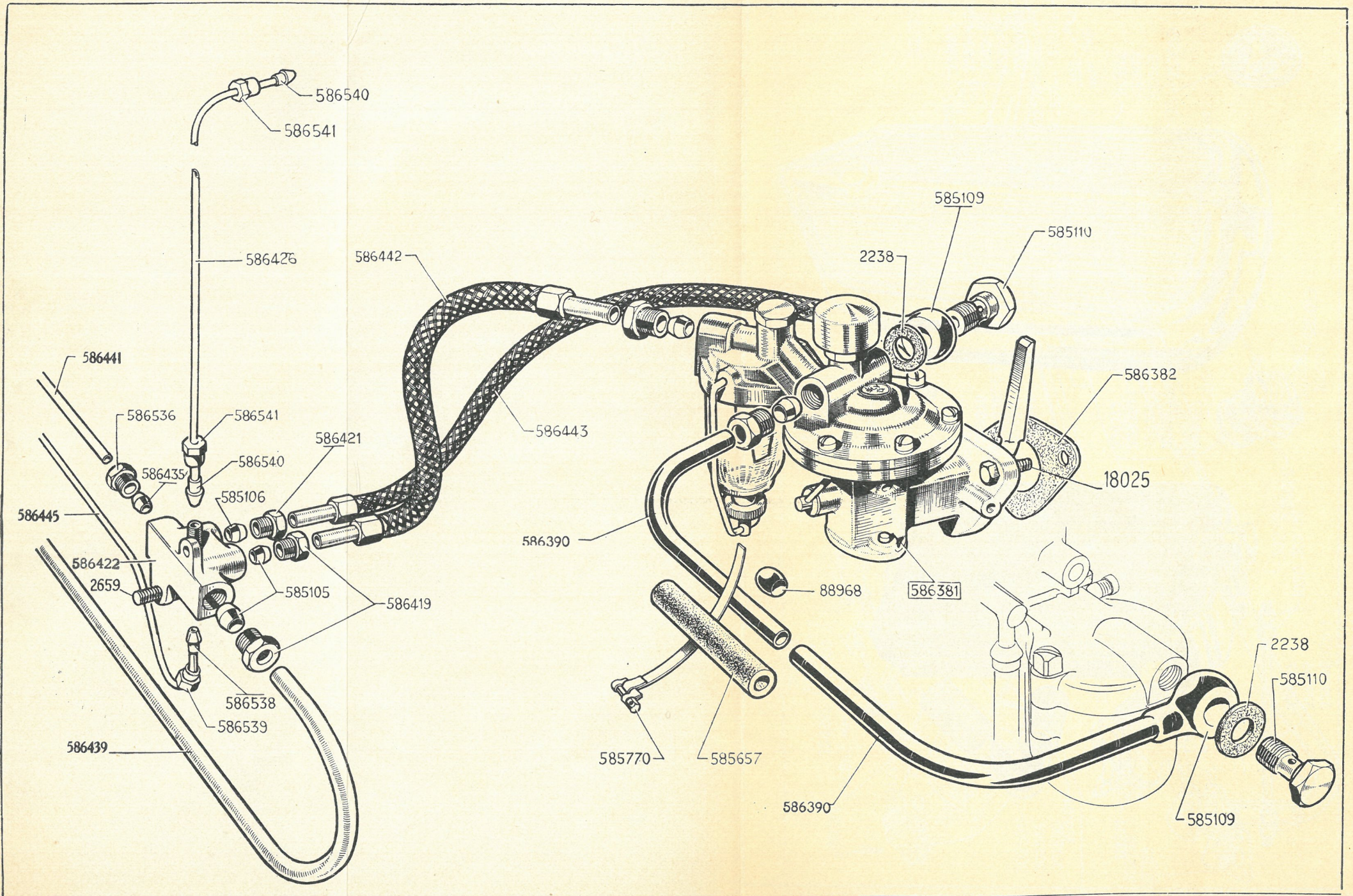


Illustration 44

CHASSIS

PETROL FEED, PETROL TANK AND FEED PIPES

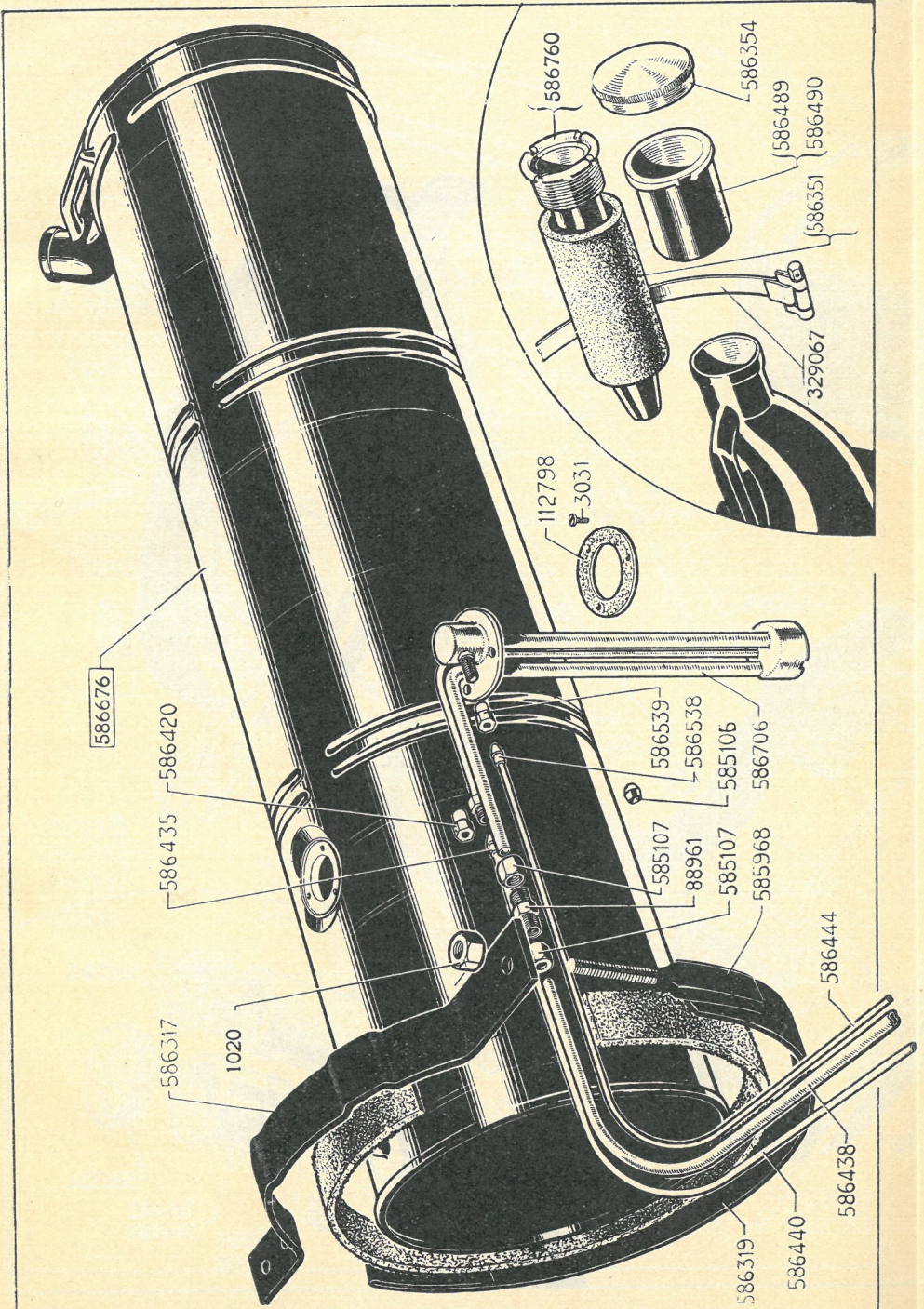
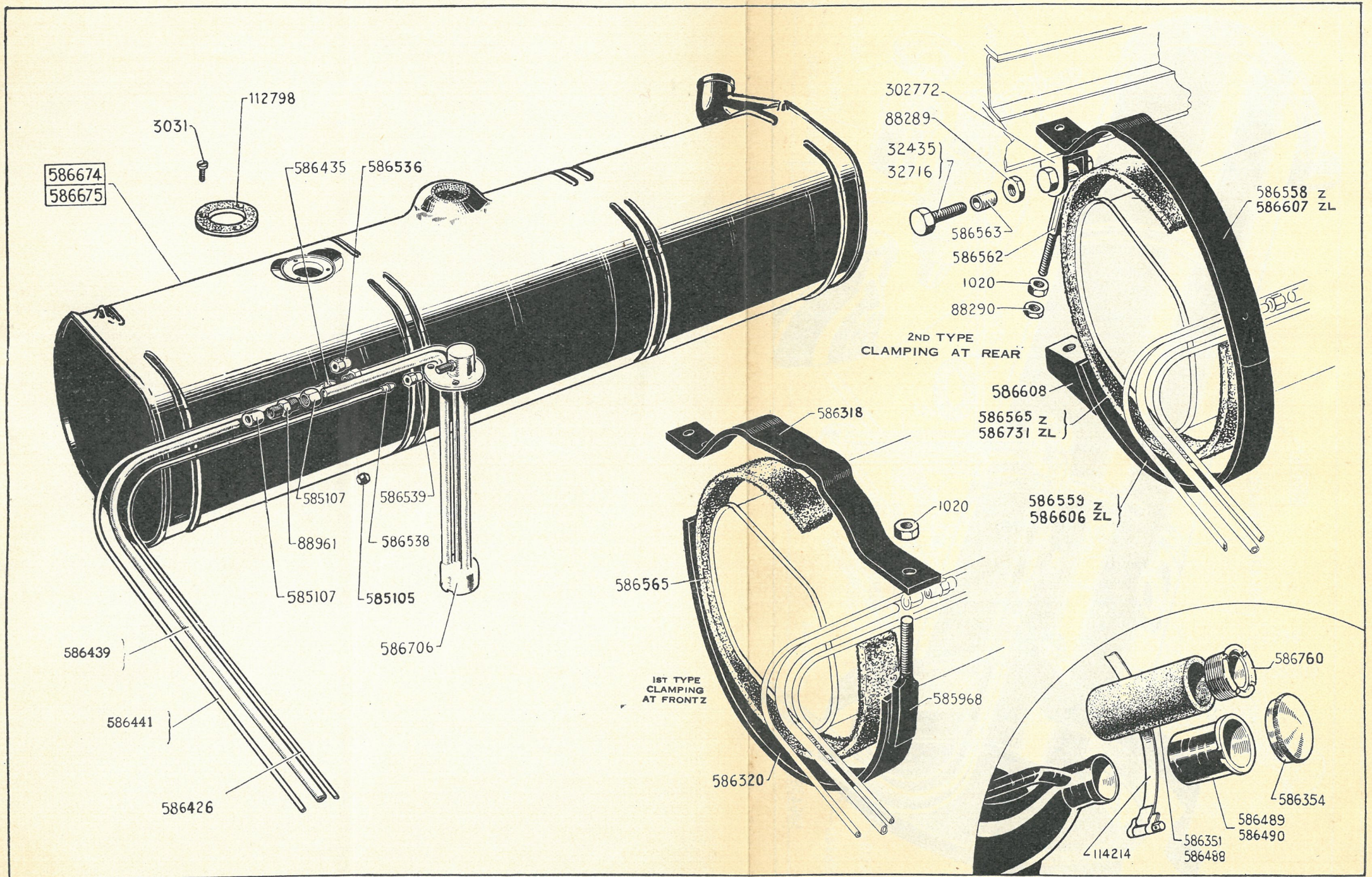


Illustration 45

CHASSIS

PETROL FEED
PETROL TANK AND FEED PIPES



SUSPENSION

REAR SUSPENSION

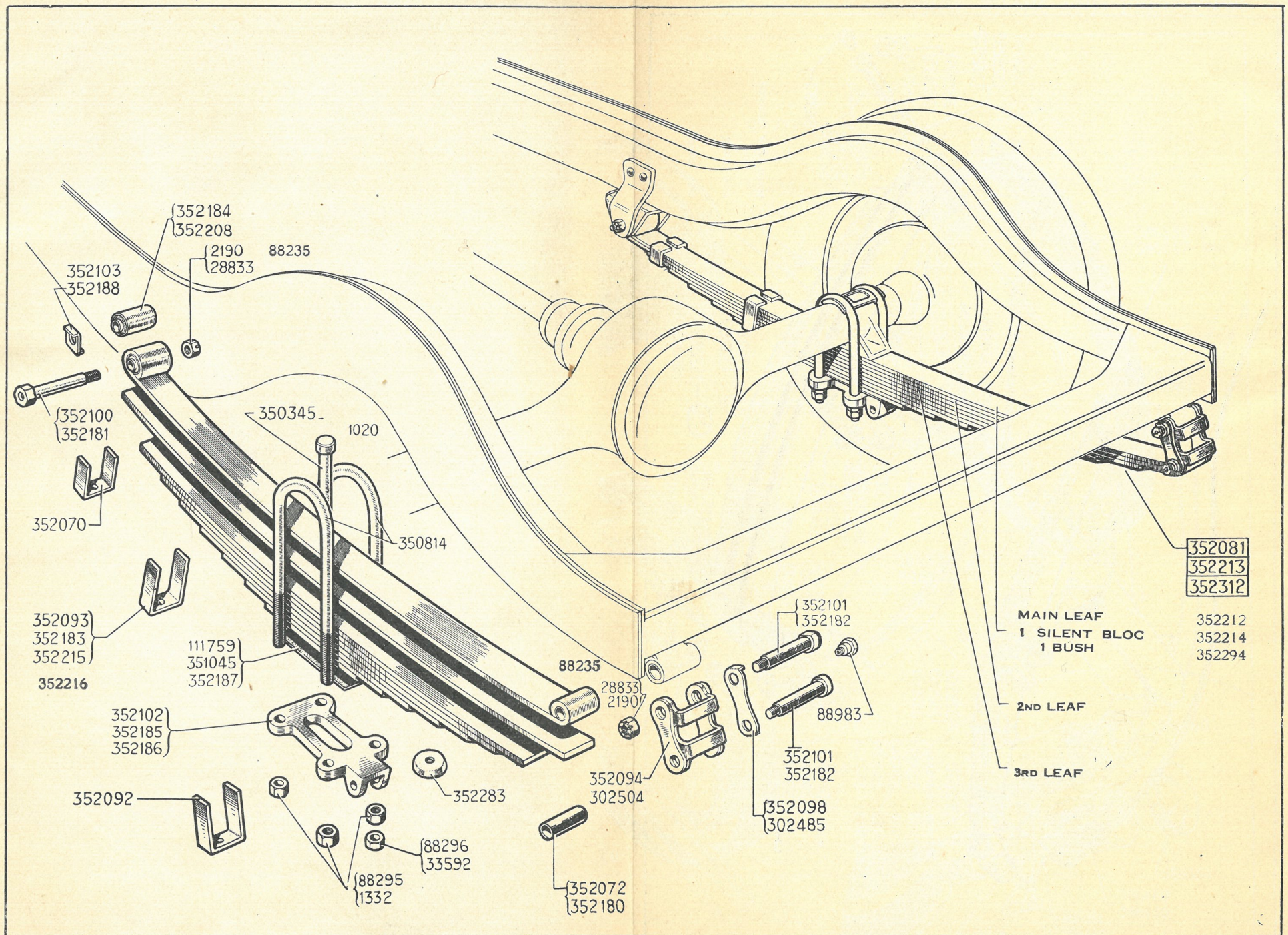


Illustration 49

SUSPENSION

SHOCK ABSORBERS

FRONT AND REAR

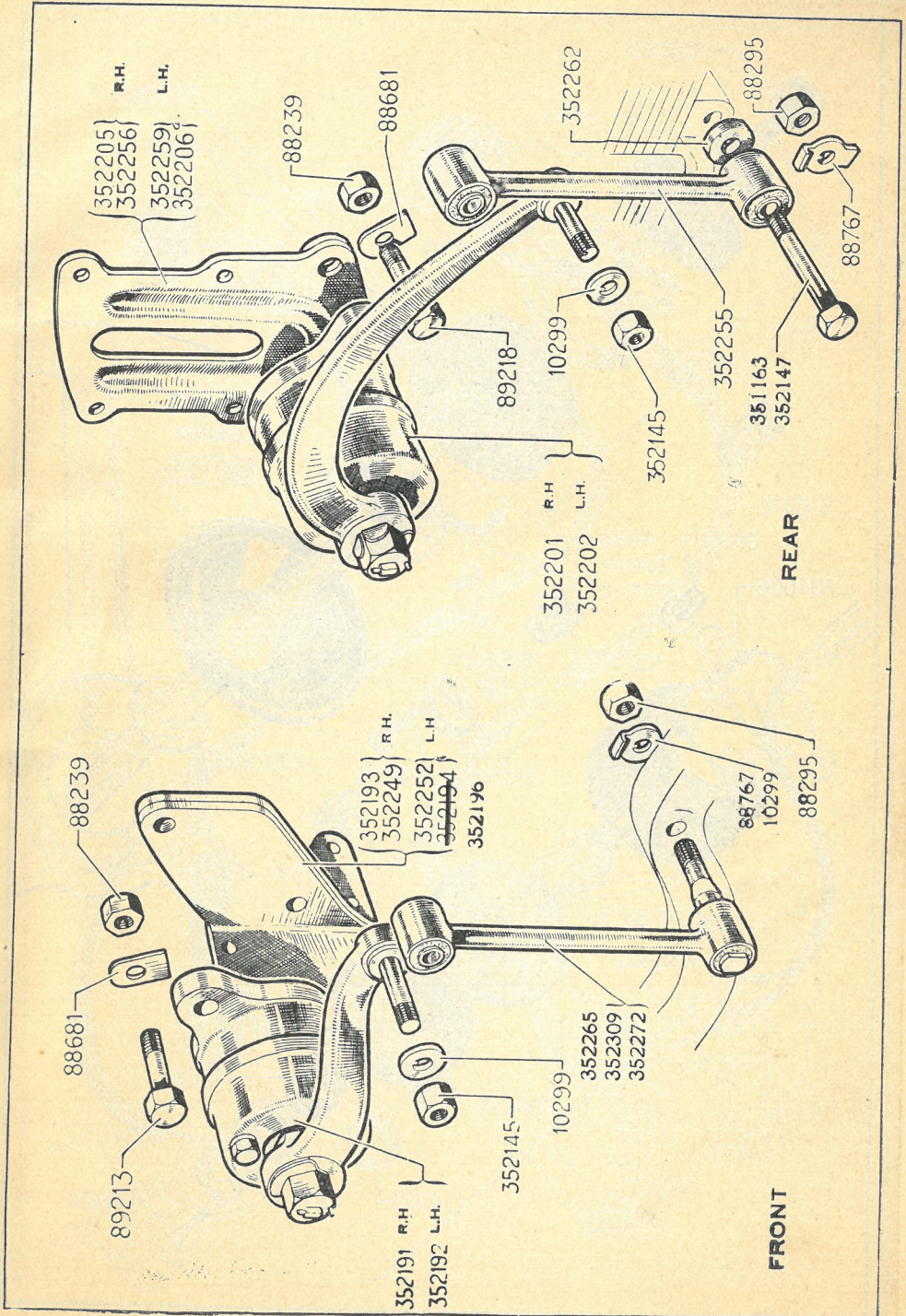


Illustration 50

ELECTRICAL

LIGHTING SWITCH AND ELECTRIC HORN CONTROL

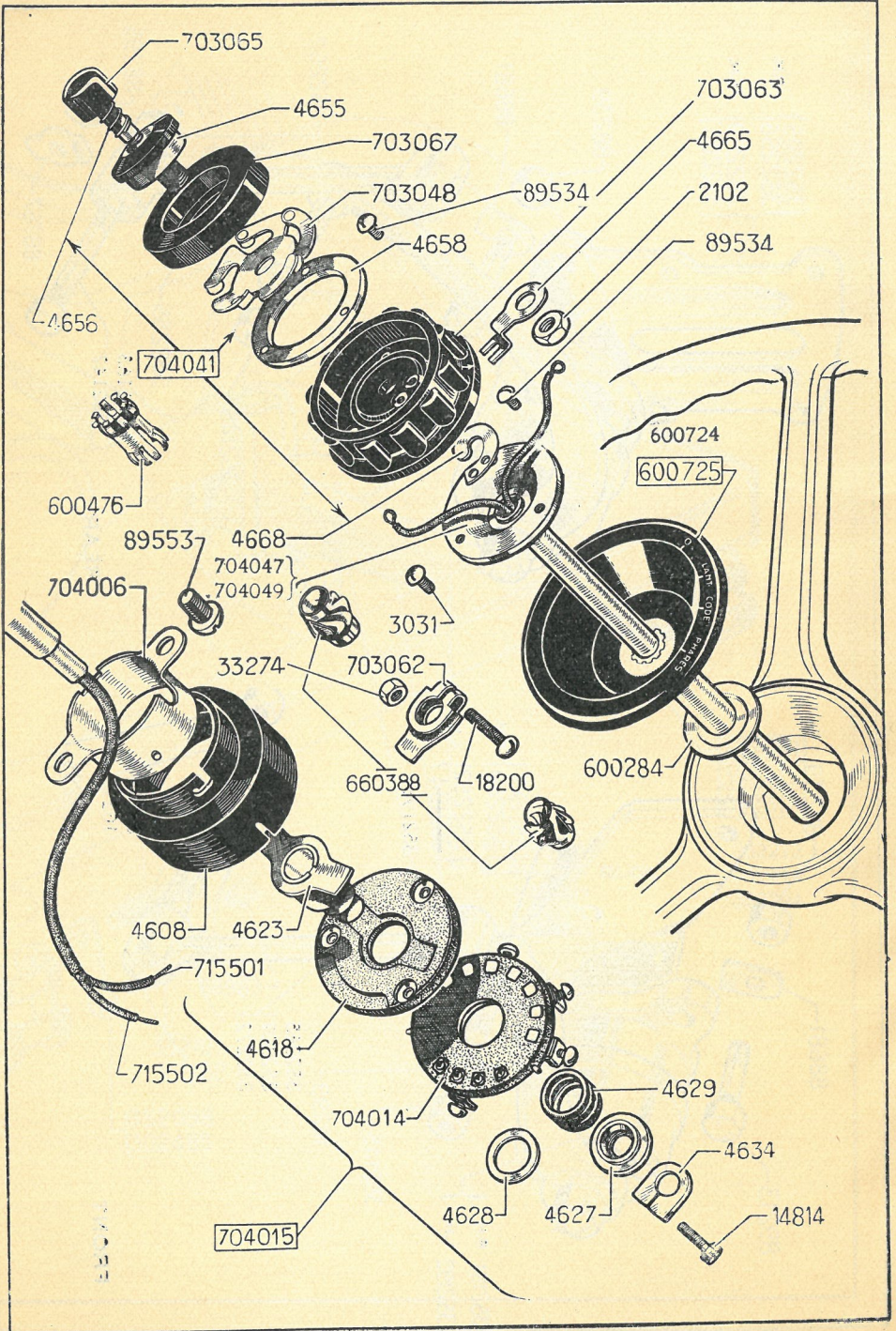


Illustration 51

Types Y. YL. Z. ZL.

ELECTRICAL
(AND ENGINE)

**STARTER MOTOR AND
"STARTER" CARBURETTOR CONTROLS**

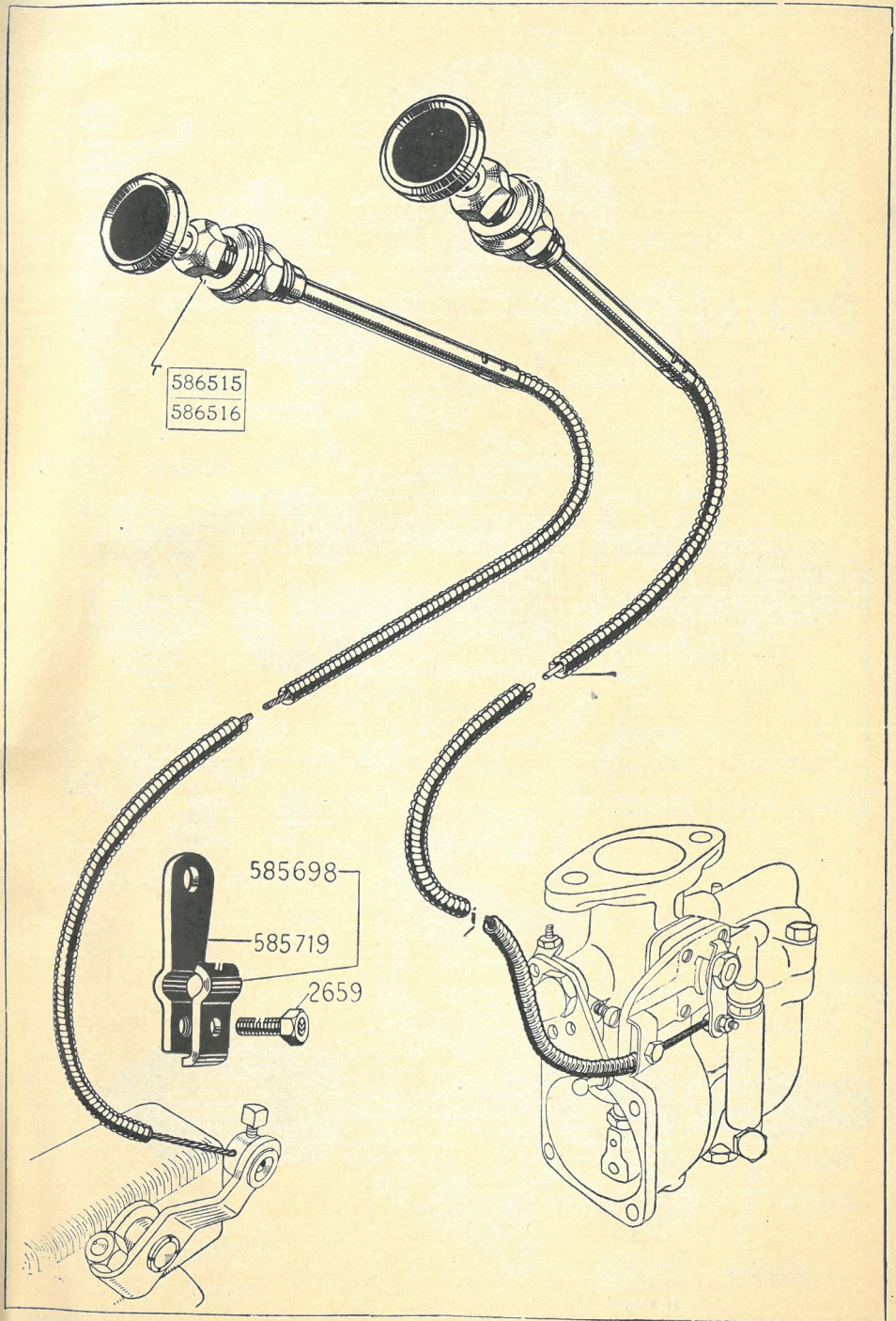


Illustration 52

ELECTRICAL

SELF-STARTER, DRIVING GEAR AND SWITCH

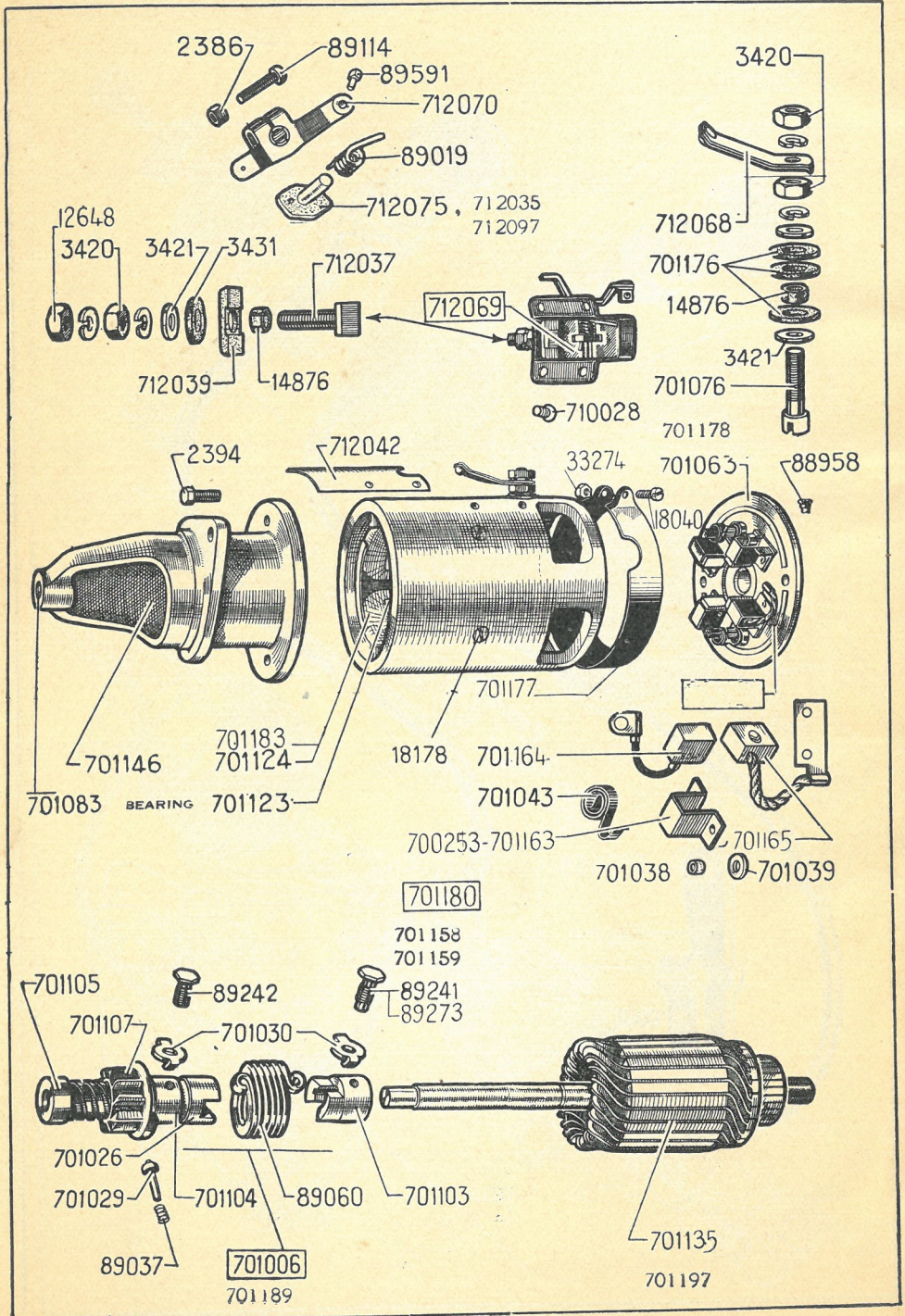


Illustration 53

Types Y. YL. Z. ZL.

ELECTRICAL

IGNITION DISTRIBUTOR

R.B. TYPE

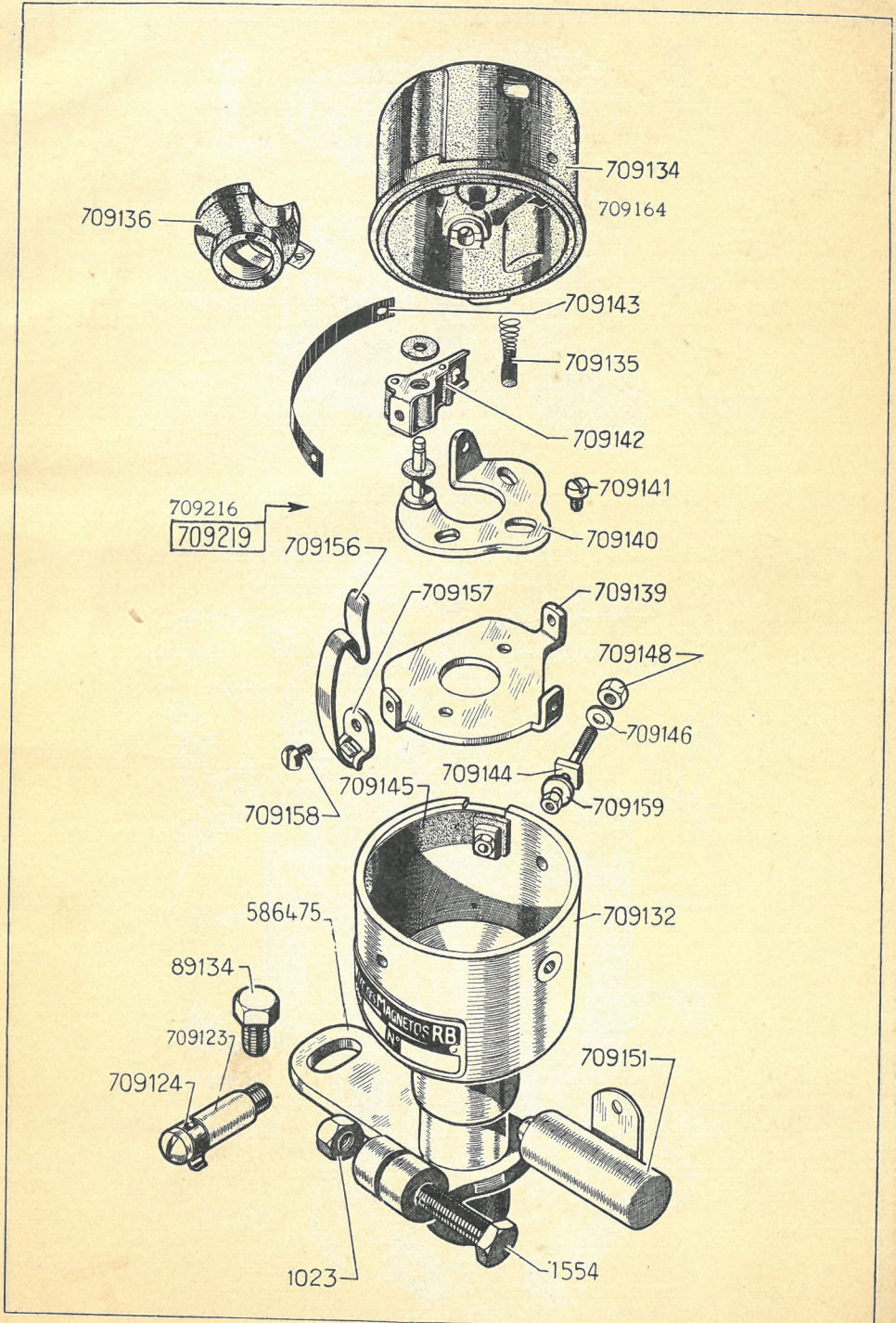


Illustration 54

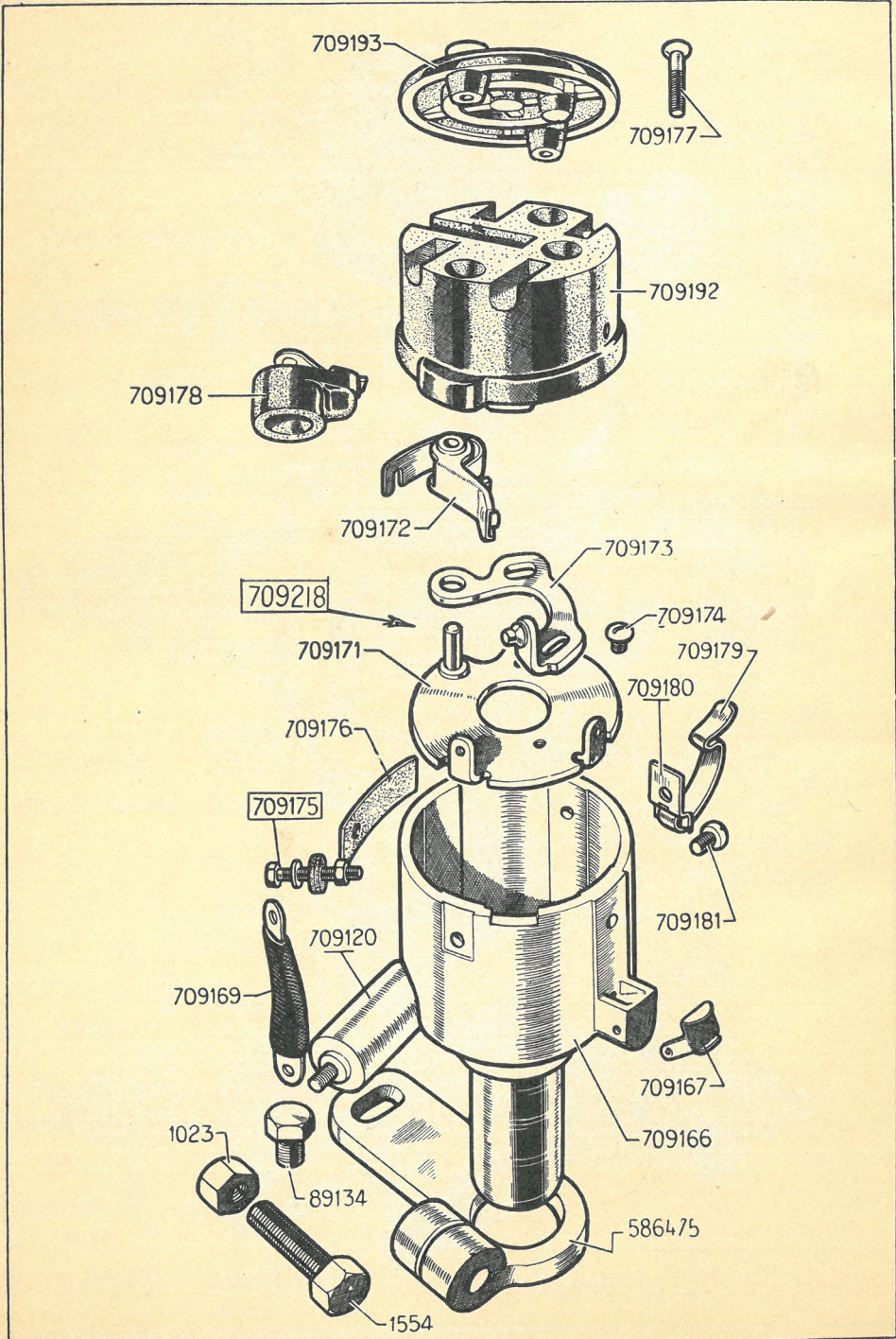


Illustration 55

ELECTRICAL

Type Z. ZL. "S.E.V." IGNITION DISTRIBUTOR

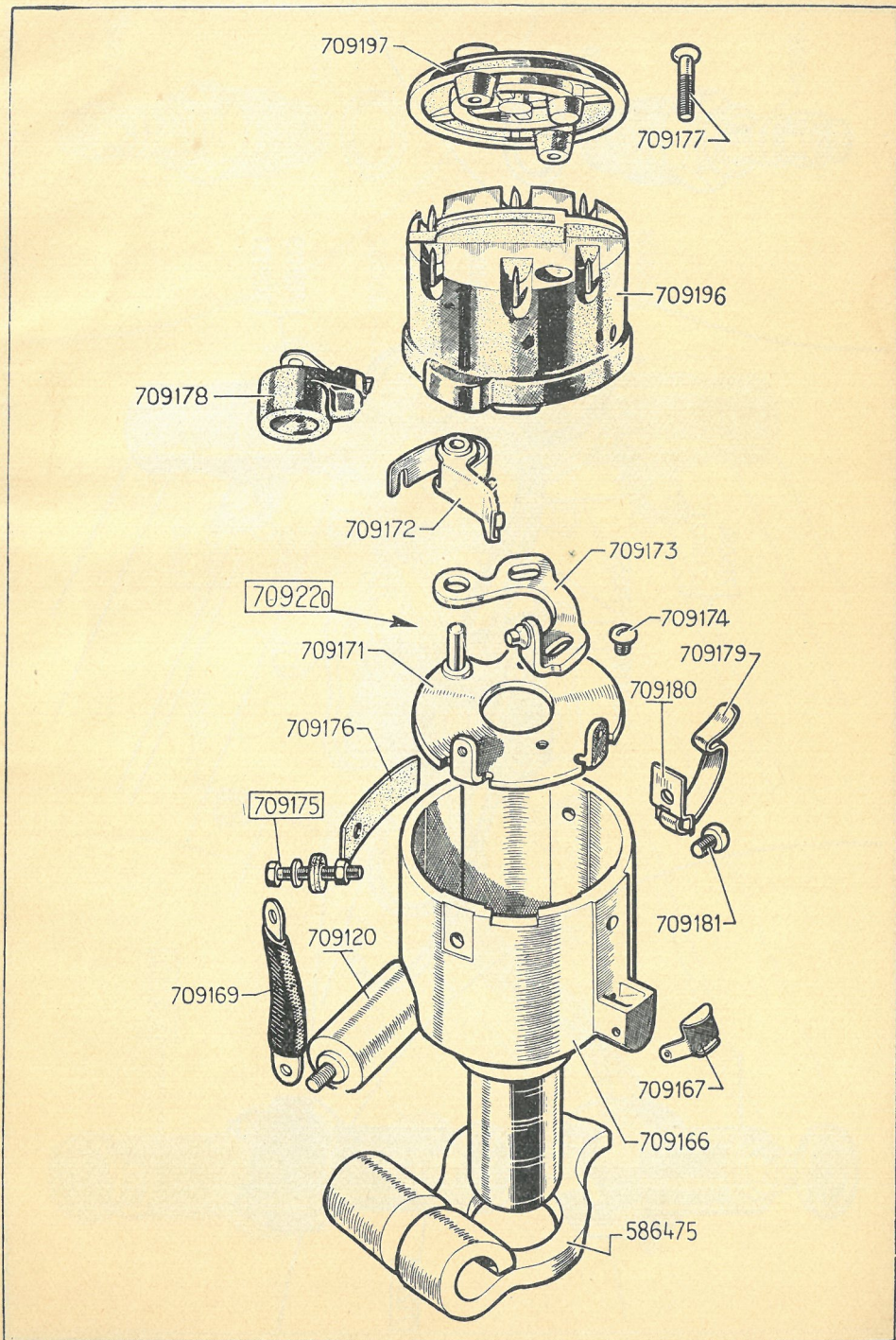


Illustration 56

ELECTRICAL

IGNITION DISTRIBUTOR CIRCUIT

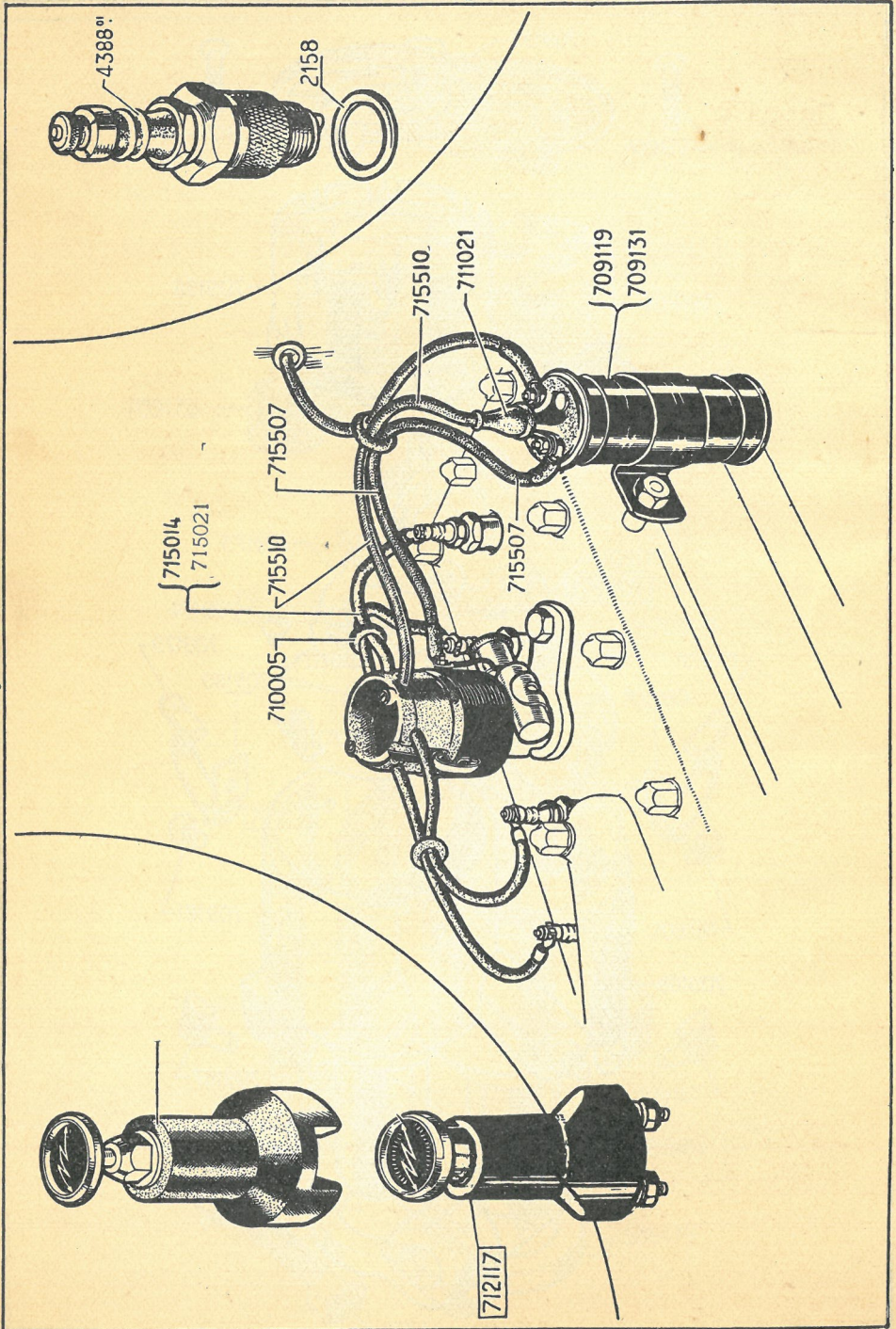


Illustration 57

Type Z. ZL.

ELECTRICAL IGNITION DISTRIBUTOR CIRCUIT

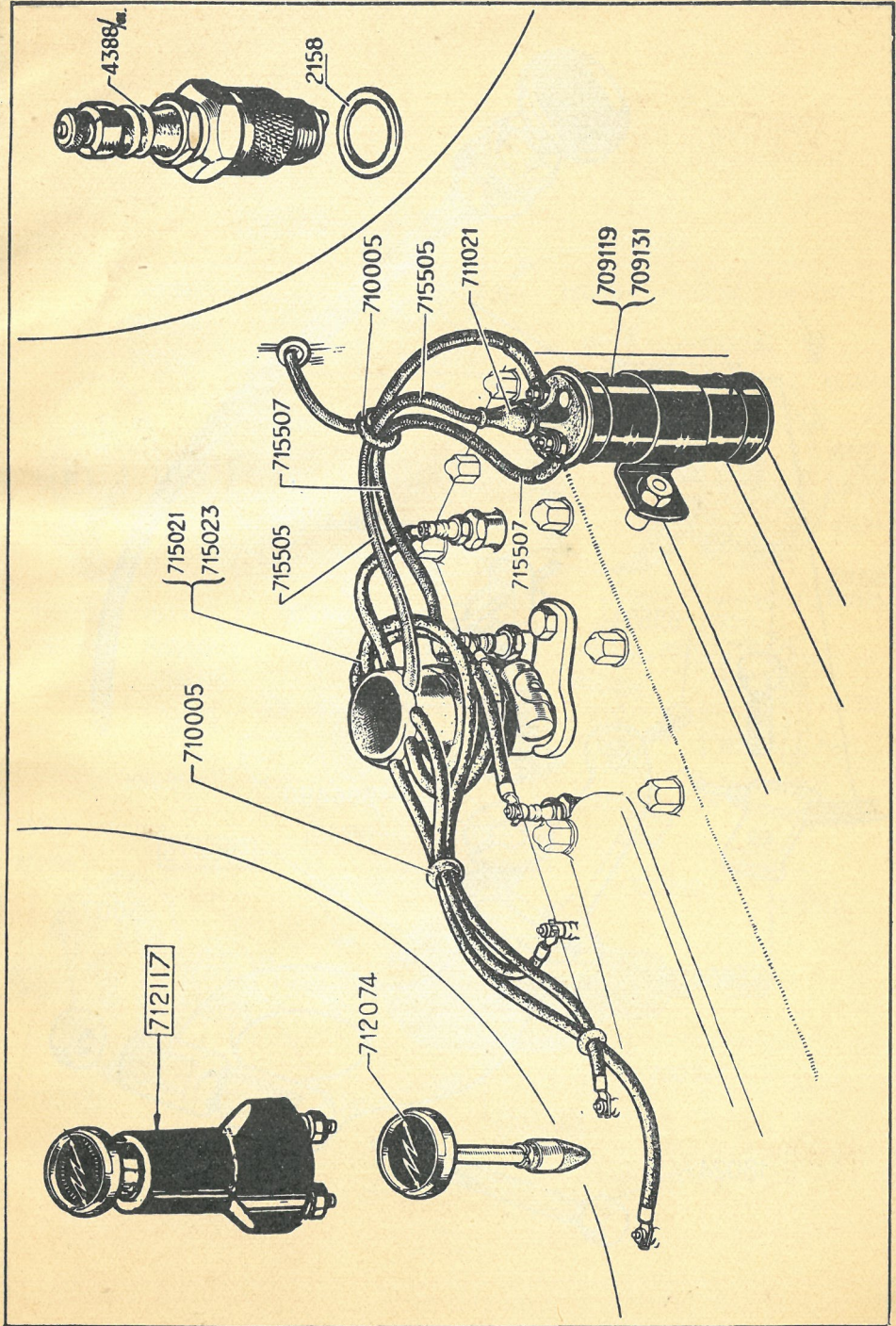


Illustration 58

Types Y. YL. Z. ZL.

ELECTRICAL

HAND CONTROL FOR IGNITION

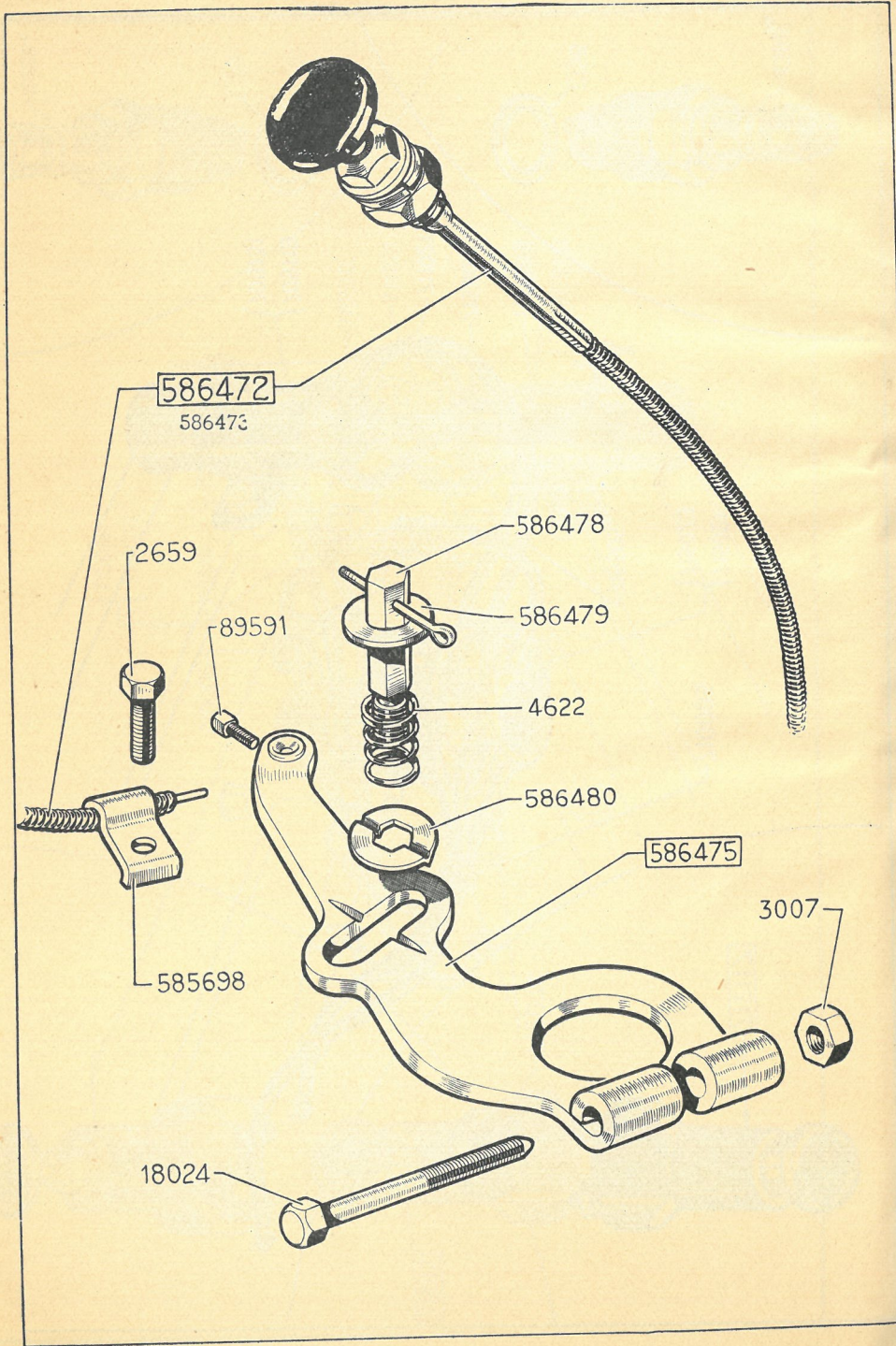


Illustration 59

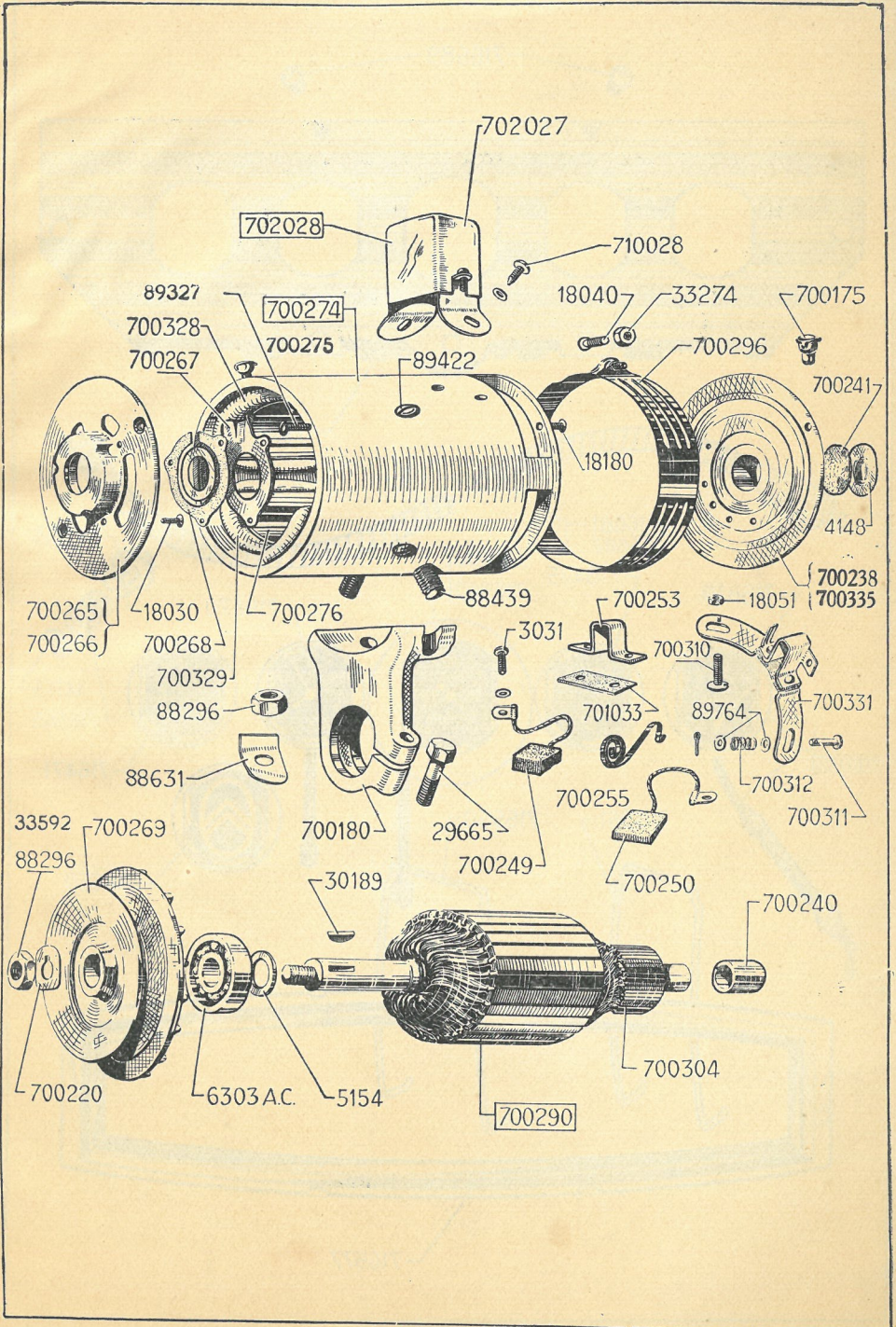


Illustration 60

ILLUMINATED INSTRUMENT PANEL

Types Y. YL. Z. ZL.

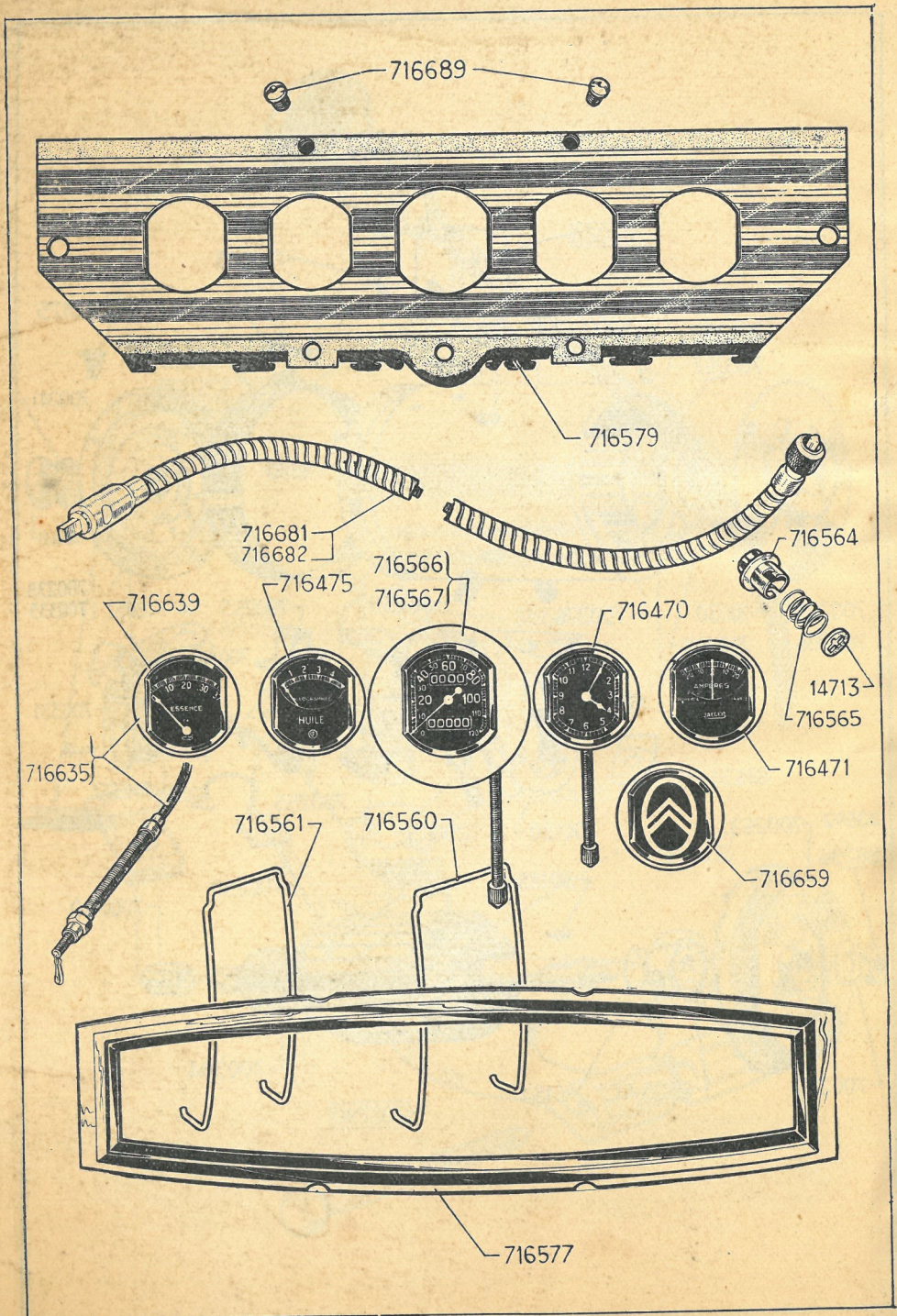


Illustration 6r